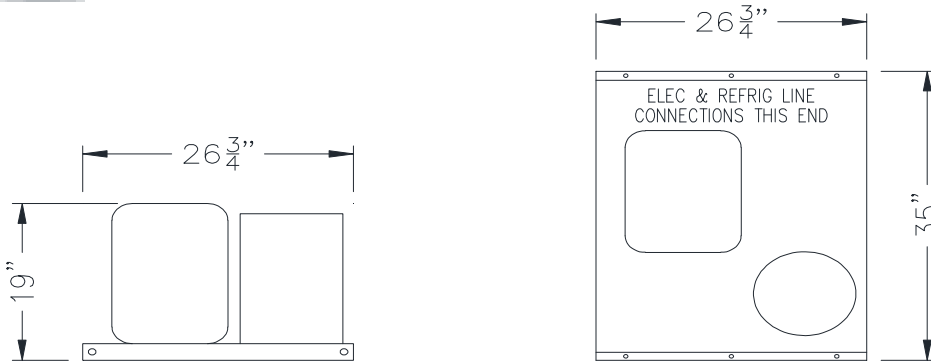


Cooler System

Refrigeration Specifications

LWSJ100RL3

Compressor	Water cooled Condensing Unit	Rack Size	Refrigerant
Scroll	208-230/60/3	A	R449A

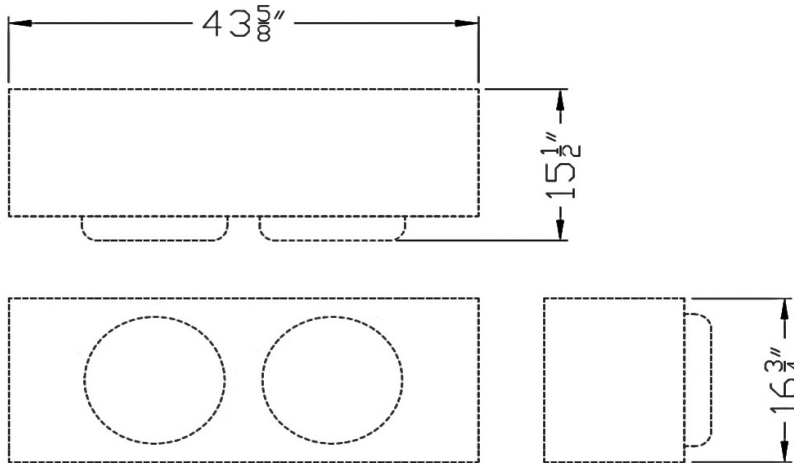


Condensing Unit Specifications

Water connections: Inlet= 3/8 " Outlet= 5/8" GPM @ 75° water = 1.1 GPM Condenser PSI drop= 0.5 PSI

Model #	HP	Electical Data		BTU Capacity Temp Setpoint -10° @ 105° Cond temp	Connection sizes		Weight (lbs)
		MCA	MOP		Liquid (in)	Suction (in)	
LWSJ100RL3	1	13.3	20	6,103	3/8	7/8	117 lbs

Evaporator Unit Cooler 115/60/1



Evaporator Specifications

Model #	Fan Qty	CFM	Electrical Data (1)			Connection sizes			Weight (lbs)
			MCA	MOP	Elec Defrost Amps	Liquid(in)	Suction(in)	Drain(in)	
WL6E077DDAS	2	1570	9.8	15	9.8	3/8	7/8	3/4	55LBS

Model#	Cond part #	Nominal voltage	MCA	MOP	Weight
LWSJ100RL3	LWSJ100RL3	208-230/60/3	13.3	20	117 lbs
Heat of Rejection btu/hr	Evap part #	Nominal voltage	MCA	MOP	Weight
10,848 to H2O, 1,205 to Air	WL6E077DDAS	115/60/1	9.8	15	55LBS



Rev 3/26/18