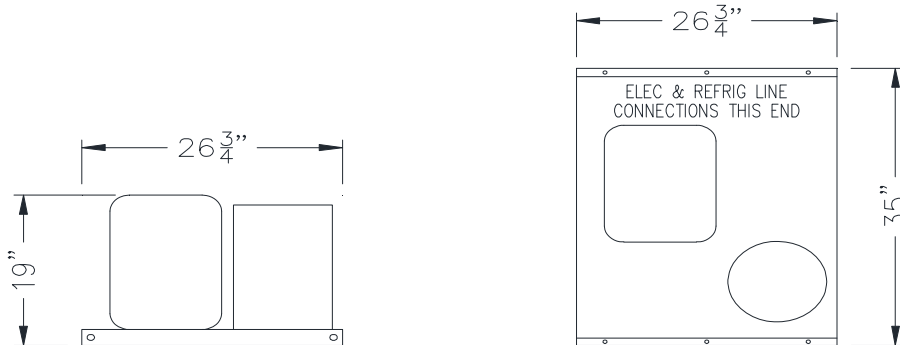


<b>Freezer System</b>	<b>Refrigeration Specifications</b>	<b>LWSJ200RL3</b>
-----------------------	-------------------------------------	-------------------

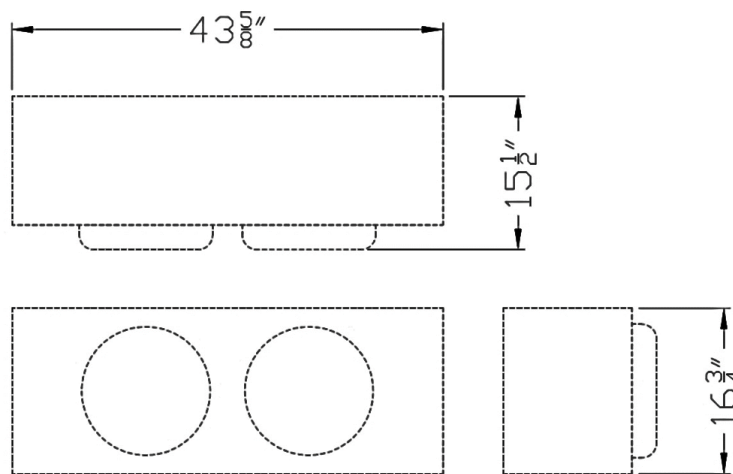
Compressor	Water Cooled Condensing Unit	Rack Size	Refrigerant
Scroll	208-230/60/3	A	R449A



**Condensing Unit Specifications**

Water connections: Inlet= 1/2		Outlet= 7/8		GPM @ 75° water = 1.4	Condenser PSI drop= 0.7		
Model #	HP	Electrical Data		BTU Capacity	Connection sizes		Weight (lbs)
		MCA	MOP	Temp Setpoint -10° @ 105° Cond temp	Liquid (in)	Suction (in)	
LWSJ200RL3	2	19.5	30	9,252	3/8	1 1/8	213

**Evaporator Unit Cooler  
208-230/60/1**



**Evaporator Specifications**

Model #	Fan Qty	CFM	Electrical Data (1)			Connection sizes			Weight (lbs)
			MCA	MOP	Elec Defrost Amps	Liquid(in)	Suction(in)	Drain(in)	
WL6E105DDAS	2	1550	1	15	9.8	3/8	7/8	3/4	168
Model#	Cond part #	Nominal voltage	MCA	MOP	Weight	<b>NORLAKE</b> ®			
<b>LWSJ200RL3</b>	LWSJ200RL3	208-230/60/3	19.5	30	213				
Heat of Rejection btu/hr	Evap part #	Nominal voltage	MCA	MOP	Weight				
	WL6E105DDAS	208-230/60/1	1	15	168				