
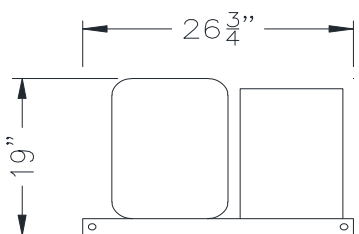
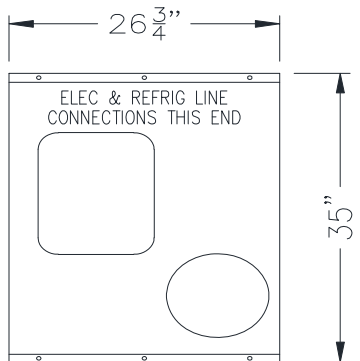


Freezer System	Refrigeration Specifications	LWSJ200RL4	
Compressor	Water cooled Condensing Unit	Rack Size	Refrigerant
Scroll	208-230/60/1	A	R449A

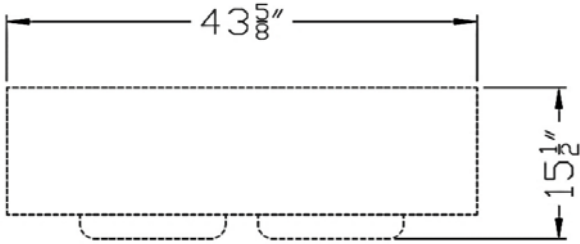





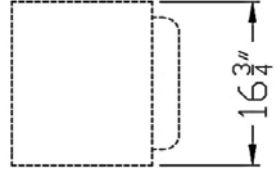


Condensing Unit Specifications							
Water connections: Inlet= 1/2 "		Outlet= 7/8"		GPM @ 75° water = 1.4 GPM	Condenser PSI drop= 0.7 PSI		
Model #	HP	Electical Data		BTU Capacity	Connection sizes		Weight (lbs)
		MCA	MOP		Liquid (in)	Suction (in)	
LWSJ200RL4	2	29	50	9,252	3/8	1 1/8	196

Evaporator Unit Cooler
208-230/60/1







Evaporator Specifications									
Model #	Fan Qty	CFM	Electrical Data (1)			Connection sizes			Weight (lbs)
			MCA	MOP	Elec Defrost Amps	Liquid(in)	Suction(in)	Drain(in)	
WL6E105DDAS	2	1550	9.8	15	9.8	3/8	7/8	3/4	62

Model#	Cond part #	Nominal voltage	MCA	MOP	Weight	NORLAKE ®
LWSJ200RL4	LWSJ200RL4	208-230/60/1	29	50	196	
Heat of Rejection btu/hr	Evap part #	Nominal voltage	MCA	MOP	Weight	
NA	WL6E105DDAS	208-230/60/1	9.8	15	62	Rev 3/26/18