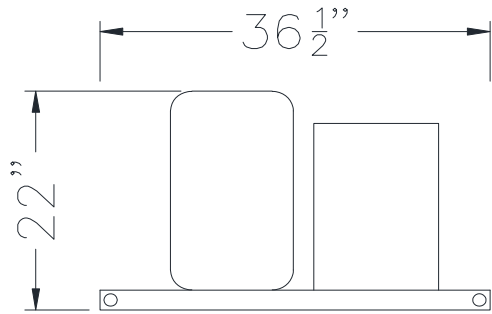
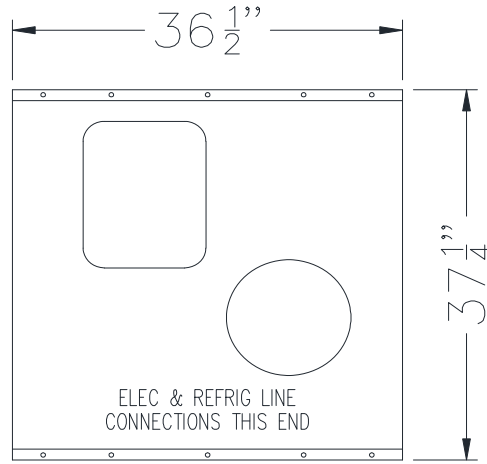


<b>Freezer System</b>	<b>Refrigeration Specifications</b>	<b>LWSJ300RL4</b>
-----------------------	-------------------------------------	-------------------

Compressor	Water Cooled Condensing Unit	Rack Size	Refrigerant
Scroll	208-230/60/1	B	R449A



END VIEW



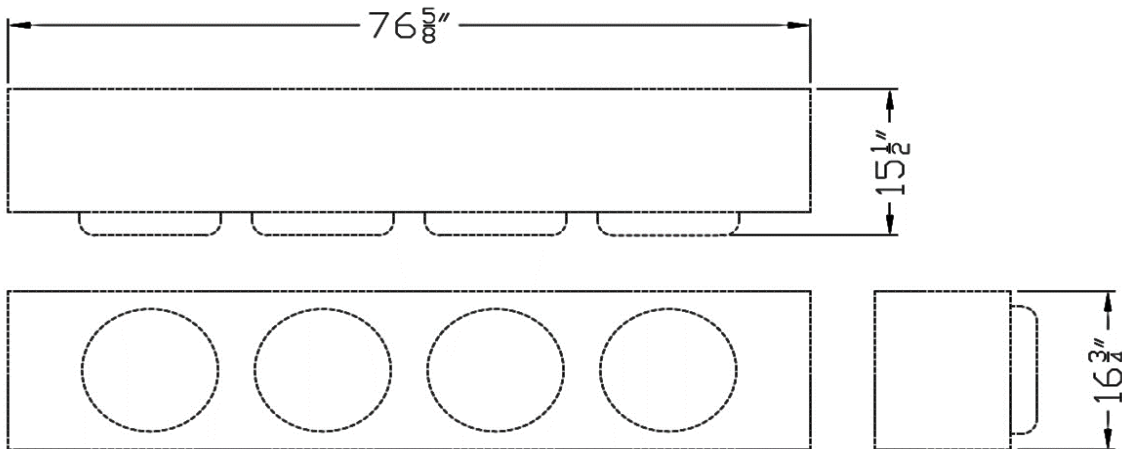
TOP VIEW

**Condensing Unit Specifications**

Water connections: Inlet= 3/4    Outlet= 7/8    GPM @ 75° water = 2.3    Condenser PSI drop= 1.6

Model #	HP	Electrical Data		BTU Capacity	Connection sizes		Weight (lbs)
		MCA	MOP	Temp Setpoint -10° @ 105° Cond temp	Liquid (in)	Suction (in)	
LWSJ300RL4	3	35.3	60	13,152	1/2	1 1/8	242

**Evaporator Unit Cooler**  
208-230/60/1



**Evaporator Specifications**

Model #	Fan Qty	CFM	Electrical Data (1)			Connection sizes			Weight (lbs)
			MCA	MOP	Elec Defrost Amps	Liquid(in)	Suction(in)	Drain(in)	
WL6E162DDAS	4	3140	2	15	19.2	3/8	1 1/8	3/4	124

Model# <b>LWSJ300RL4</b> Heat of Rejection btu/hr	Cond part #	Nominal voltage	MCA	MOP	Weight
	LWSJ300RL4	208-230/60/1	35.3	60	242
	Evap part #	Nominal voltage	MCA	MOP	Weight
	WL6E162DDAS	208-230/60/1	2	15	124

