
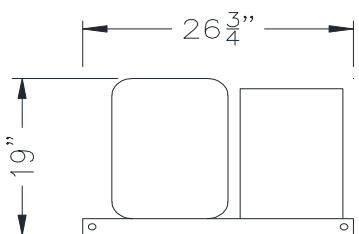
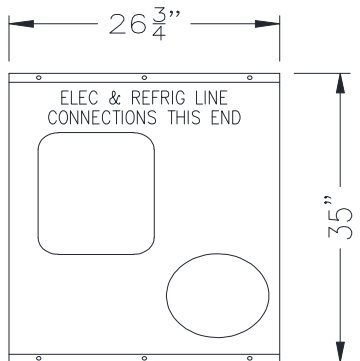


<b>Freezer System</b>	<b>Refrigeration Specifications</b>	<b>LWSJ75RL3</b>	
Compressor	Water cooled Condensing Unit	Rack Size	Refrigerant
Scroll	208-230/60/3	A	R449A

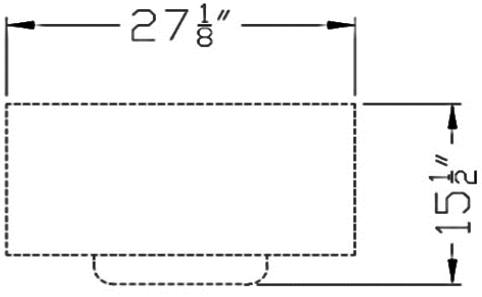


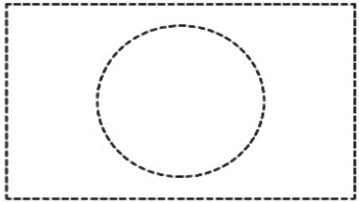


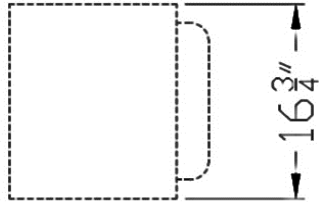


Condensing Unit Specifications							
Water connections: Inlet= 3/8"		Outlet= 5/8"		GPM @ 75° water = 0.6 GPM	Condenser PSI drop= 0.2 PSI		
Model #	HP	Electical Data		BTU Capacity	Connection sizes		Weight (lbs)
		MCA	MOP	Temp Setpoint -10° @ 105° Cond temp	Liquid (in)	Suction (in)	
LWSJ75RL3	3/4	10	15	3,718	3/8	7/8	117 lbs

Evaporator Unit Cooler  
208-230/60/1







Evaporator Specifications									
Model #	Fan Qty	CFM	Electrical Data (1)			Connection sizes			Weight (lbs)
			MCA	MOP	Elec Defrost Amps	Liquid(in)	Suction(in)	Drain(in)	
WL6E049DDAS	1	775	4.9	15	4.9	3/8	7/8	3/4	47LBS

Model#	Cond part #	Nominal voltage	MCA	MOP	Weight	<b>NORLAKE</b> ®
<b>LWSJ75RL3</b>	LWSJ75RL3	208-230/60/3	10	15	117 lbs	
Heat of Rejection btu/hr	Evap part #	Nominal voltage	MCA	MOP	Weight	
6798 to H2O, 755 to Air	WL6E049DDAS	208-230/60/1	4.9	15	47LBS	Rev 3/26/18