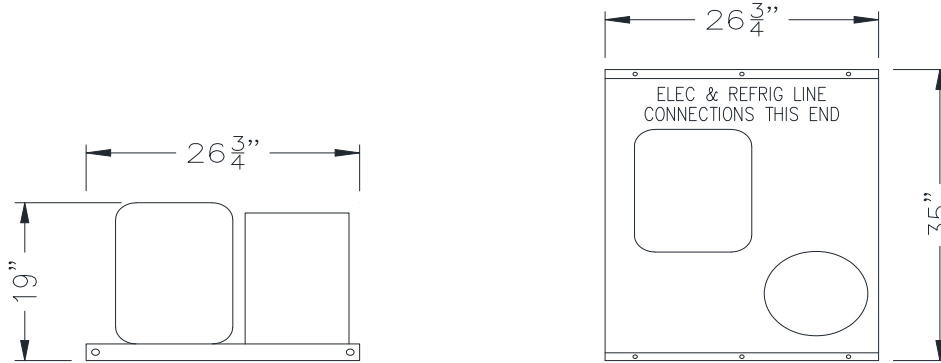


Freezer System

Refrigeration Specifications

LWSJ75RL4

Compressor	Water Cooled Condensing Unit	Rack Size	Refrigerant
Scroll	208-230/60/1	A	R449A

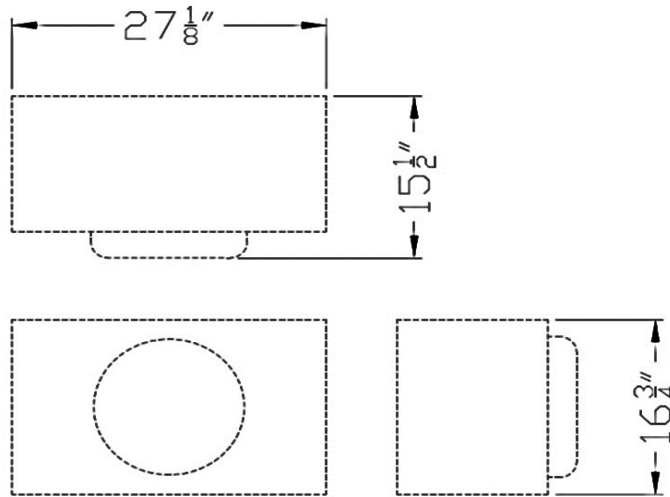


Condensing Unit Specifications

Water connections: Inlet= 3/8 Outlet= 5/8 GPM @ 75° water = 0.6 Condenser PSI drop= 0.2

Model #	HP	Electical Data		BTU Capacity	Connection sizes		Weight (lbs)
		MCA	MOP	Temp Setpoint -10° @ 105° Cond temp	Liquid (in)	Suction (in)	
LWSJ75RL4	3/4	12.5	20	3,718	3/8	7/8	152

Evaporator Unit Cooler 208-230/60/1



Evaporator Specifications

Model #	Fan Qty	CFM	Electrical Data (1)			Connection sizes			Weight (lbs)
			MCA	MOP	Elec Defrost Amps	Liquid(in)	Suction(in)	Drain(in)	
WL6E049DDAS	1	775	0.5	15	4.9	3/8	5/8	3/4	52

Model# LWSJ75RL4 Heat of Rejection btu/hr	Cond part #	Nominal voltage	MCA	MOP	Weight
	LWSJ75RL4	208-230/60/1	12.5	20	152
	Evap part #	Nominal voltage	MCA	MOP	Weight
	WL6E049DDAS	208-230/60/1	0.5	15	52

