
UNDERCOUNTER & FREESTANDING REFRIGERATOR

Installation, Operation and Maintenance Instructions

INSPECTION

When the equipment is received, all items should be carefully checked against the bill of lading to insure all crates and cartons have been received. All units should be inspected for concealed damage by uncrating the units immediately. If any damage is found, it should be reported to the carrier at once, and a claim should be filed with the carrier. This equipment has been inspected and tested at the manufacturing facility and has been crated in accordance with transportation rules and guidelines. Manufacturer is not responsible for freight loss or damage.

Before connecting the refrigerator to the power supply, let it stand for approximately two hours to reduce the possibility of malfunctions in the cooling system due to transport handling

INSTALLATION

GENERAL

After the unit crate and crate base have been removed, place the refrigerator firmly on a solid base. Adjust the adjustable feet on the front of the cabinet to level the refrigerator (see Figure 1). The ventilation grid may be placed close to a wall as the grid allows for sufficient air circulation required for adequate ventilation (see Figure 2). For total enclosure, allow 2 inches of clearance all around for ventilation.

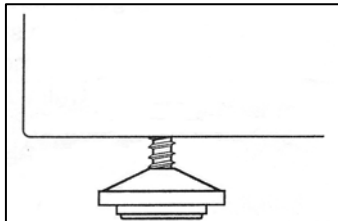


Figure 1

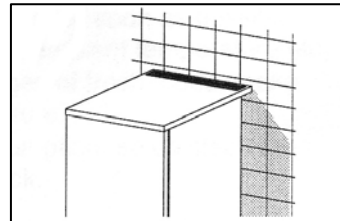


Figure 2

ELECTRICAL

Check the proposed outlet to be used to insure that the voltage, phase, and current carrying capacity of the circuit from the electrical panel correspond to the requirements of the cabinet. **NEVER** use an extension cord to wire any unit. Refer to the serial tag for all pertinent electrical information.

Observe all Warning Labels. Disconnect power supply to eliminate injury from electrical shock or moving parts when servicing equipment.

OPERATION

The refrigerator is controlled with a thermostat knob located on the right upper interior wall of the appliance. Higher settings on the knob (towards 7) will cause lower temperatures (colder) in all compartments of the appliance. Temperature may even drop below 0°C (32°F). Use higher thermostat settings only when required or recommended. A medium setting (3 or 4) is recommended when the ambient temperature is normal (65°F – 75°F). Changes in the ambient temperature can affect the interior temperature of the appliance. Temperatures in the refrigerator will also vary depending on how often the door is opened.

In the **STOP (0)** position, the refrigerator does not operate (the cooling system is de-energized), yet the power supply is not interrupted (the light on the refrigerator interior is on when the door is opened) (see Figure 3).

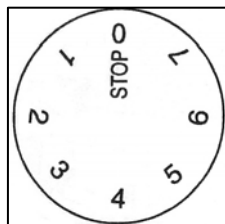


Figure 3

The refrigerator has an automatic defrost cycle. As long as the defrost water runs to the channel and through opening in the drain pan on the compressor, automatic defrost is assured. If the ice formation on the inner rear wall increases to 1/8" thickness, the ice should be manually defrosted. Set the thermostat knob to **0** and leave the door open. **Never use electrical devices and do not scrape with sharp objects.** After defrosting, turn the thermostat knob to the desired setting and close the refrigerator door.

Increased icing causes may also be one of the following:

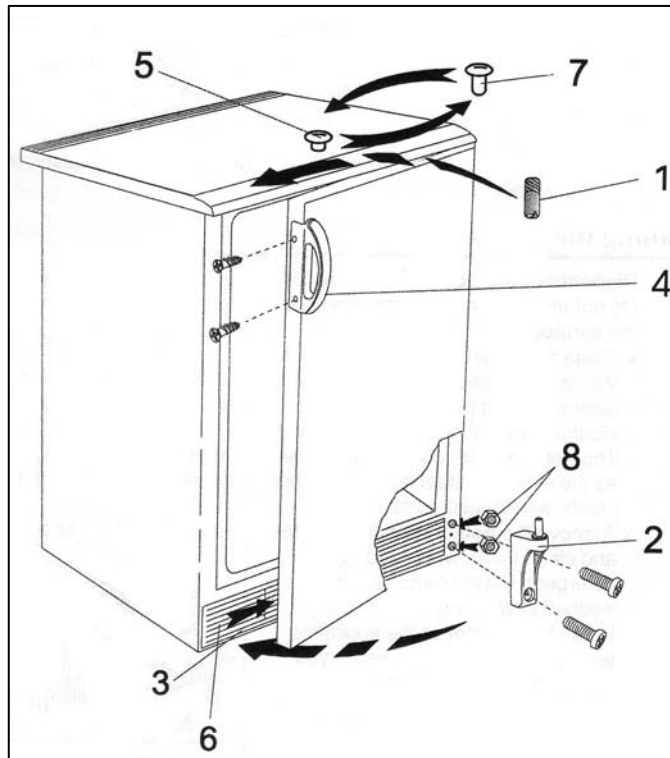
- Door not sealing properly. Clean the gasket or replace as required.
- Door frequently opened or left open for an extended period of time.
- Product being refrigerated was too warm when put into the refrigerator.
- Product being refrigerated touching the inner rear wall.

Reversing Door Opening Direction

The door opening direction may be changed if required. All necessary holes on the opposite side of the cabinet are made (see Figure 4).

- The front side of the appliance must be raised slightly.
- Unscrew both front feet of the refrigerator.
- Unscrew the lower hinge (2) by gripping both nuts by hand from the inside of the front panel and completely remove.
- Remove the door.
- Push the kick plate to the right in the new position.
- Unscrew the upper hinge pin (1) and fix it to the opposite side.
- Change positions of the pins (5) and door bearings (7) at the top and bottom.
- Position the door on the upper hinge pin (1).
- Re-install the lower hinge (2) using the screws and nuts.
- Re-install the front feet.
- Unscrew the handle and replace it on the opposite side.
- If the screws are covered with caps, remove them before undoing the screws.

- Check the resting of the magnetic seals. The seal must not be creased thereby ensuring a good seal.



- | | |
|------------------------------------|-----------------------------------|
| 1 Upper hinge pin | 5 Corner element bung with a hole |
| 2 Lower hinge | 6 Kick plate |
| 3 Kick plate and / or switch-board | 7 Door bearing |
| 4 Handle | 8 Two nuts of lower hinge |

Figure 4

Bulb Replacement

Before replacing the light bulb, disconnect the refrigerator from the power supply. Press the cover at the rear side (in the arrow 1 direction) and remove the plastic cover (in the arrow 2 direction). Replace the bulb with a new one (E14, 10W maximum).

MAINTENANCE

PERIODIC CLEANING

Disconnect the power supply before cleaning the refrigerator.

Beginning with the initial installation, the interior surfaces of the cabinet should be periodically wiped down with a solution of warm water and baking soda. This solution will remove any odors from spillage that has occurred. The exterior of the cabinet should also be cleaned frequently with warm water and a mild liquid detergent. **Caution: Do not use an abrasive or alkaline solution.**

Monthly cleaning of the condenser will aid the heat transfer characteristics of the refrigeration system and increase its efficiency. Dust, dirt, and lint will tend to accumulate on the condensing unit. Any obstruction will affect the flow of air through the condenser, thereby lowering the efficiency

of the system. A brush with non-metal stiff bristles can be used to loosen particles so that they may be removed with a vacuum cleaner. **Important: Failure to keep the condenser coil clean and clear of obstructions could result in temperature loss and damage to the compressor.**

All moving parts have been permanently lubricated and will generally require no maintenance.

MAINTENANCE SERVICE AND ANALYSIS GUIDE

<u>MALFUNCTION</u>	<u>POSSIBLE CAUSE</u>	<u>SOLUTION</u>
Compressor will not start - no hum	<ol style="list-style-type: none">1. Service cord unplugged2. Fuse blown or removed3. Appliance set to STOP4. Wiring incorrect	<ol style="list-style-type: none">1. Plug in service cord2. Replace fuse3. Reset thermostat4. Check wiring against the diagram
Compressor continually runs	<ol style="list-style-type: none">1. Door left open2. Door frequently opened3. Inadequate compressor ventilation	<ol style="list-style-type: none">1. Check door2. Determine reason and correct3. Determine reason and replace
Water Leak	<ol style="list-style-type: none">1. Clogged water discharge Outlet2. Ice buildup on rear wall	<ol style="list-style-type: none">1. Clean outlet2. See OPERATION above