

---

# UNDERCOUNTER & FREESTANDING FREEZER

## Installation, Operation and Maintenance Instructions

---

### INSPECTION

When the equipment is received, all items should be carefully checked against the bill of lading to insure all crates and cartons have been received. All units should be inspected for concealed damage by uncrating the units immediately. If any damage is found, it should be reported to the carrier at once, and a claim should be filed with the carrier. This equipment has been inspected and tested at the manufacturing facility and has been crated in accordance with transportation rules and guidelines. Manufacturer is not responsible for freight loss or damage.

Before connecting the refrigerator to the power supply, let it stand for approximately two hours to reduce the possibility of malfunctions in the cooling system due to transport handling.

### INSTALLATION

#### GENERAL

After the unit crate and crate base have been removed, place the freezer firmly on a solid base. Adjust the adjustable feet on the front of the cabinet to level the freezer (see Figure 1). The ventilation grid may be placed close to a wall as the grid allows for sufficient air circulation required for adequate ventilation (see Figure 2).

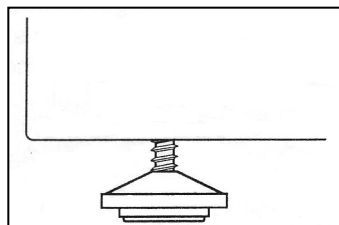


Figure 1

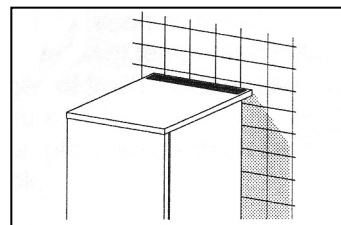


Figure 2

#### ELECTRICAL

Check the proposed outlet to be used to insure that the voltage, phase, and current carrying capacity of the circuit from the electrical panel correspond to the requirements of the cabinet. **NEVER** use an extension cord to wire any unit. Refer to the serial tag for all pertinent electrical information.

**Observe all Warning Labels. Disconnect power supply to eliminate injury from electrical shock or moving parts when servicing equipment.**

# OPERATION

The freezer is controlled with a thermostat knob located on the top right exterior of the appliance. See Figures 3 and 4.

## MODE OF OPERATION

**Temperature selection** – When the freezer operates automatically, the interior temperature is controlled by the thermostat. The most suitable thermostat setting is in the middle of its range between **max** and **min**. It's recommended that you use thermostat settings toward **max** only if accelerated freezing is required. Thermostat settings set towards **min** is more energy efficient (provided that the freezer is not fully loaded). Changes in ambient temperature affect freezer interior temperature and should be taken into consideration when setting the thermostat.

**WARNING** – If the red light energized, there is something wrong with the temperature in the freezer (see Maintenance Service and Analysis).

**Continuous operation – the yellow light is on.** The cooling system operates continuously. This mode should only be selected when large amounts of product to be frozen are put into the freezer at one time. It is not recommended running the cabinet in this mode for extended periods of time as it will lead to excessive frost build up and eventually reduced performance.

**Automatic operation – the yellow light is off.** The interior temperature is controlled by the thermostat. The frequency of switching the cooling system on and off is determined by the thermostat setting, frequency and duration of door opening and the ambient temperature.

1. Red control light
2. Yellow control light
3. Thermostat knob

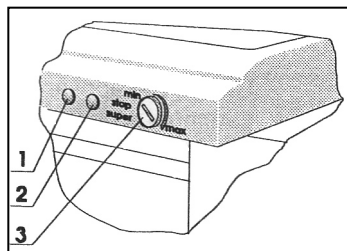


Figure 3

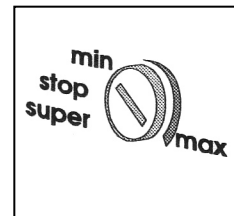


Figure 4

**Freezer Defrosting** – Defrosting is required when the frost layer in the freezer is 3-5 mm (1/8"-1/5") thick.

- Empty the freezer. Disconnect the freezer from the mains supply.
- Insert the enclosed pipe into the groove in the bottom of the freezer and place a pan or other vessel to collect the defrost water. Defrosting is accelerated if the door is left open. (See Figure 5)

**Note:** If the freezer door that has just been closed is hard to open, press the gasket against the door and then pull the door towards you. When the freezer door is opened, warm air gets into the freezer interior and, when cooled, the negative pressure seals the door. After 5-10 minutes, the door can be easily opened.

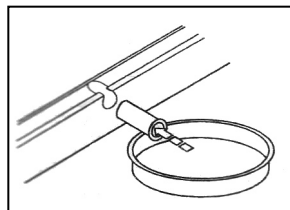
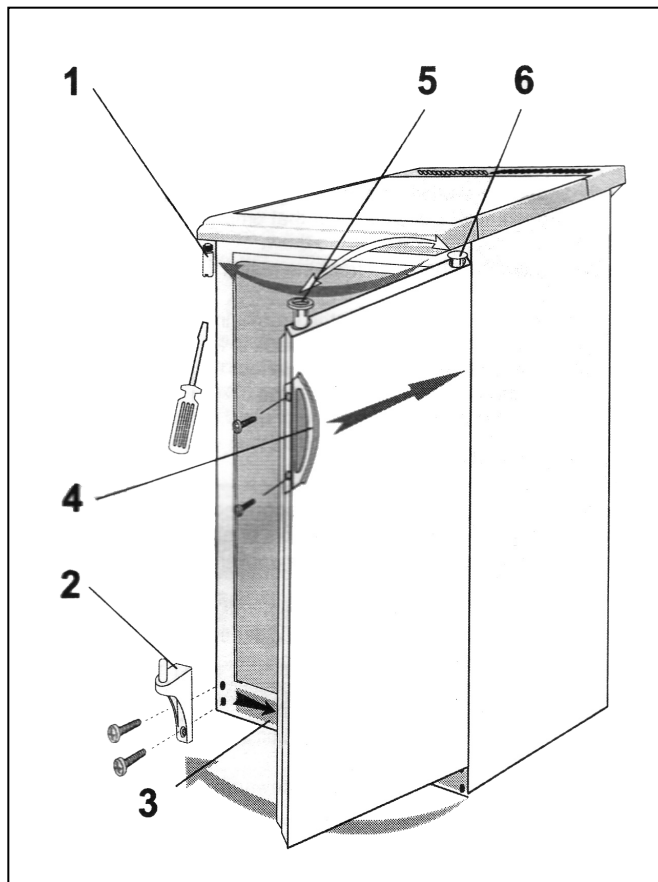


Figure 5

## Reversing Door Opening Direction

The door opening direction may be changed if required. All necessary holes on the opposite side of the cabinet are made. See Figure 5.

- Unscrew the lower hinge (2) by gripping both nuts by hand from the inside of the front panel and completely remove.
- Remove the door.
- Push the kick plate to the right in the new position.
- Position the door on the upper hinge pin (1).
- Re-install the lower hinge (2) using the screws and nuts.
- Unscrew the handle and replace it on the opposite side.
- If the screws are covered with caps, remove them before undoing the screws.
- **Check the resting of the magnetic seals. The seal must not be creased thereby ensuring a good seal.**



1 Upper hinge fastener  
2 Lower hinge  
3 Kick plate  
4 Handle

5 Door hinge fixture  
6 Fixture plug of the door hinge

Figure 6

# MAINTENANCE

## PERIODIC CLEANING

**Disconnect the power supply before cleaning the freezer.**

Beginning with the initial installation, the interior surfaces of the cabinet should be periodically wiped down with a solution of warm water and baking soda. This solution will remove any odors from spillage that has occurred. The exterior of the cabinet should also be cleaned frequently with warm water and a mild liquid detergent. **Caution: Do not use an abrasive or alkaline solution.**

Monthly cleaning of the condenser will aid the heat transfer characteristics of the refrigeration system and increase its efficiency. Dust, dirt, and lint will tend to accumulate on the condensing unit located on the back of the cabinet. Any obstruction will affect the flow of air through the condenser, thereby lowering the efficiency of the system. A brush with non-metal stiff bristles can be used to loosen particles so that they may be removed with a vacuum cleaner. **Important: Failure to keep the condenser coil clean and clear of obstructions could result in temperature loss and damage to the compressor.**

All moving parts have been permanently lubricated and will generally require no maintenance.

## MAINTENANCE SERVICE AND ANALYSIS GUIDE

<u>MALFUNCTION</u>	<u>POSSIBLE CAUSE</u>	<u>SOLUTION</u>
Compressor will not start - no hum	<ol style="list-style-type: none"><li>1. Service cord unplugged</li><li>2. Fuse blown or removed</li><li>3. Appliance set to STOP</li><li>4. Wiring incorrect</li></ol>	<ol style="list-style-type: none"><li>1. Plug in service cord</li><li>2. Replace fuse</li><li>3. Reset thermostat</li><li>4. Check wiring against the diagram</li></ol>
Compressor continually runs	<ol style="list-style-type: none"><li>1. Door left open</li><li>2. Door frequently opened</li><li>3. Inadequate compressor ventilation</li></ol>	<ol style="list-style-type: none"><li>1. Check door</li><li>2. Determine reason and correct</li><li>3. Determine reason and correct</li></ol>
Red light is on	<ol style="list-style-type: none"><li>1. Door frequently opened or Left open</li><li>2. Power supply interrupted for a lengthy period of time</li><li>3. Appliance overloaded with unfrozen load</li></ol>	<ol style="list-style-type: none"><li>1. Check door</li><li>2. Check power mains</li><li>3. Lighten freezer load</li></ol>