

# NOR-LAKE<sup>®</sup> SCIENTIFIC

## - 40°C PLASMA FREEZER

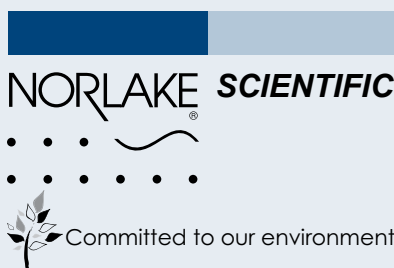
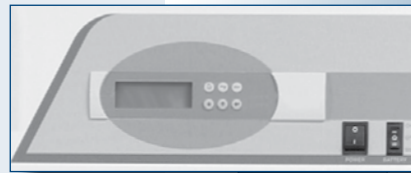
Designed to meet AABB, ANRC and FDA requirements. Advanced engineered design incorporates the latest in cabinet, refrigeration, temperature control and monitoring features. Provides energy efficient, convenient, safe and reliable performance for optimal storage.

### Standard Product Features:

- Microprocessor controller with 4x20 character LCD digital display control panel with message center
- Hi/Lo product temperature alarms, audible and visual
- Air probe with air temperature Hi/Lo alarms
- Remote alarm contacts
- Continuous product temperature display
- Product sensor with glycerin bottle
- Adjustable temperature control range from -30°C to -40°C. Factory preset at -40°C
- Power supply switch
- Temperature chart recorder and chart paper
- 2 levels of user password protection (set points and parameters)
- 100 event alarm logging including date/time stamp and product temperatures. Stored in nonvolatile flash memory
- Integrated Hi/Lo alarm tests
- Door ajar alarm with adjustable delay time period
- Power failure alarm
- 2 to 10 volt DC output for product temperature (selectable to air temperature)
- Digital calibration air and product
- Real time clock with date and time display
- Door opening counter with 24 hour automatic reset
- Adjustable alarm beep or constant on (key pad selectable)
- Alarm volume adjustable manually
- Low battery test switch with buzzer
- Condenser/compressor run time monitor
- Fan motor run time monitor
- Defrost heater time monitor
- Exterior cabinet front, sides and back are painted white
- Exterior cabinet top, back and bottom are galvanized steel
- Interior cabinet liner and interior door panel are painted white
- Cabinet and solid door are foamed-in-place with CFC Free high density polyurethane foam insulation
- Heavy duty door pivot hinges
- Centered key door lock (2 keys)
- Full length door pull handle
- Four casters (2 locking)
- 8 solid pull out stainless steel drawers
- Perimeter anti-condensate door frame (temperature selectable) heater wires
- Magnetic door gasket
- Air cooled condensing unit
- Top mounted forced air refrigeration system
- Automatic defrost and condensate evaporation
- Sensor access port 1" diameter
- Warranties: 18 month parts and labor, 5 year compressor (US and Canada) 18 months parts (International)
- UL & C-UL listed

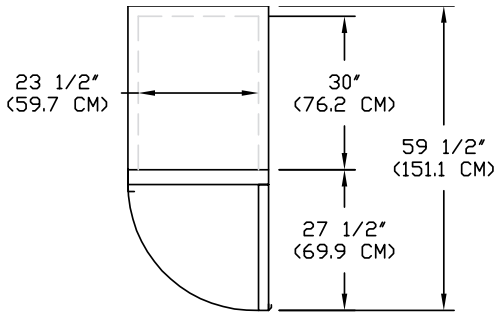
### Optional Features:

- Legs in lieu of casters
- Shelf with clips
- Wire basket drawer (6 per door)
- Stainless steel exterior
- Stainless steel interior
- 4-20 ma output
- RS-485 (modbus-RTU) computer interface
- Export crating

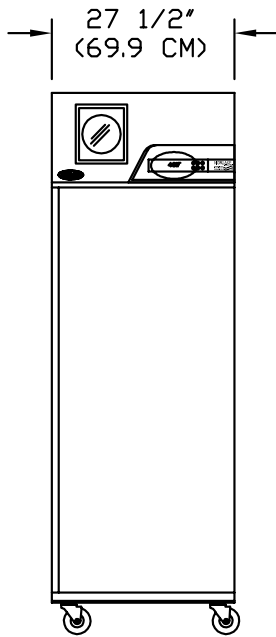


NOR-LAKE SCIENTIFIC  
A Division of  
NOR-LAKE, INCORPORATED  
727 Second Street  
Hudson, Wisconsin 54016

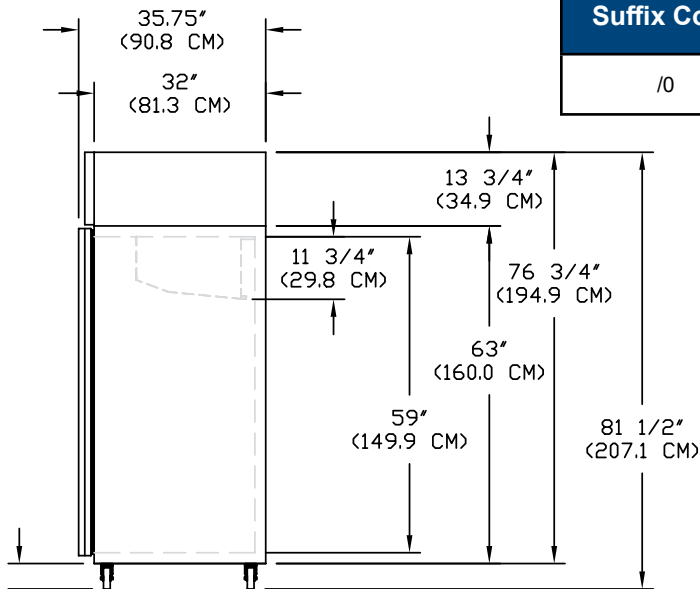
800-477-5253  
715-386-2323  
800-388-5253 PARTS  
715-386-4290 FAX  
[www.norlakescientific.com](http://www.norlakescientific.com)



TOP VIEW



FRONT VIEW



SIDE VIEW

**SPECIFICATIONS**

Model	NSBF221WWW/0
Crated Height (in) (cm)	84-7/8" (215)
Crated Width (in) (cm)	37" (94)
Crated Depth (in) (cm)	41" (104)
Crated Weight (lbs) (kg)	630 (286)
Interior Height (in) (cm)	59" (149)
Interior Width (in) (cm)	23-1/2" (59)
Interior Depth (in) (cm)	30" (76)
Overall Height (in) (cm)	81-1/2" (207)
Overall Width (in) (cm)	27-1/2" (69)
Overall Depth (in) (cm)	35-3/4" (90)
Gross Cubage (ft. <sup>3</sup> ) (L)	22 (625)
Plasma Capacity* -300 ML Pack	384 (48 per drawer)
Number of Drawers	8
Number of Casters	4 (2 locking)
Condensing Unit Size	3/4 HP
Refrigerant	R404A
Electrical Characteristics	115V, 60Hz
Maximum Fuse Size	20 Amps
Total Amp Draw	14.3
Cord and Plug	Yes

Specifications subject to change without notice.

\*Capacity may vary according to loading preferences and contents.

Voltage Model Suffix Code	Voltage Description	NEMA Plug	NEMA Receptacle
/0	115V, 1PH, 60Hz	5-20P	5-20R



**NORLAKE SCIENTIFIC**

Revision Date: 5/18  
 ©2012 NOR-LAKE, INC.  
 Printed in the U.S.A.  
 Part Number: 139671



4 3/4" (9.2 CM)