



NOR-LAKE, INCORPORATED
727 Second Street
Hudson, Wisconsin 54016

800-955-5253
715-386-2323
866-961-5253 Parts
800-388-5253 Service
715-386-6149 FAX
www.norlake.com

NOVA™ FULL LINE SWING GLASS DOOR REFRIGERATOR MERCHANDISERS



NLGRP23-HG

NLGRP48-HG

PROJECT:

ITEM NUMBER:

MODEL NUMBER:

SPECIFICATIONS FOR: NLGRP23-HG, NLGRP27-HG, NLGRP48-HG, NLGRP74-HG

- **Finish:** 24 gauge painted textured galvanized steel interior and exterior. Black or white exterior finish. Standard white interior finish with stainless steel floor
- **Insulation:** 1-3/4" thick state-of-the-art, foamed-in-place "zero ODP" polyurethane insulation
- **Hardware:** Interior LED lighting with switch, interior hanging thermometer, top backlit graphic panel (standard panel is blank without graphics), adjustable legs for leveling, four adjustable heavy-duty epoxy coated shelves per door - adjustable in 1/2" increments on pilasters
- **Door:** Auto-close, triple pane, safety glass doors, contemporary style black door frame, heavy-duty universal anti-microbial workflow handles, heavy-duty self-closing torquemaster hinges with field adjustable leveling and closing tension capability.
Standard door swing configuration:
 - 1-doorhinged right
 - 2-door left door hinged left, right door hinged right
 - 3-door left door hinged left, middle door hinged right, right door hinged right
- **Electrical:** 115 volt, 60 Hz, 1 phase with cord and plug
- **Refrigeration** Self-contained bottom mount refrigeration system designed for optimum energy efficiency and low noise. Top mounted, low profile interior evaporator housing for increased storage space, energy-free condensate removal. Refrigeration system is accessible for ease of service and regular preventative maintenance. Refrigerant: R290. Temperature range: +34° to +41°F. Electronic temperature control.
- **Approvals:** UL, C-UL Safety, and UL Sanitation qualified **

STANDARD FEATURES

- 24 gauge painted textured galvanized steel interior and exterior
- Adjustable legs for leveling
- Anti-microbial finish on door handles
- Auto-close, triple pane, safety glass doors
- Contemporary style black door frame
- Energy-free condensate removal
- Four adjustable heavy-duty epoxy coated shelves per door
- Interior hanging thermometer
- Interior LED lighting with switch
- Refrigerant: R290
- Self-contained bottom mount refrigeration system
- Standard and larger capacity single door models
- Top backlit graphic panel (standard panel is blank without graphics)
- Temperature range: +34° to +41°F
- Top mounted, low profile interior evaporator housing for increased storage space
- White interior finish with stainless steel floor
- Approvals: UL, C-UL Safety, and UL Sanitation qualified**
- Warranties: 3 year parts and labor, 5 year compressor

OPTIONAL FEATURES*

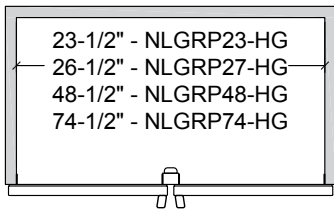
- Additional shelving
- Black or white exterior finish
- Casters
- Field reversible door swing (one-door models only)

* Most options are available two weeks from receipt of order. Please contact us for specific questions.

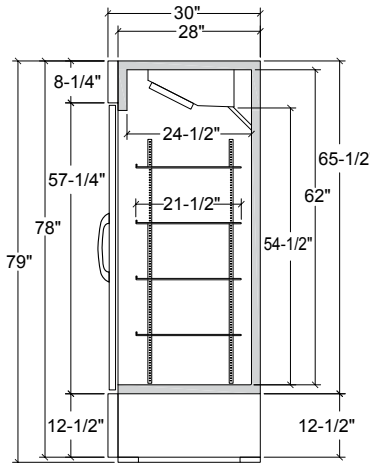
** C-UL is Underwriters Laboratories Safety Certification Mark which indicates that UL has tested the equipment to applicable CSA Standards.

** UL Sanitation is Underwriters Laboratories Sanitation Mark which indicates that UL has tested the equipment to applicable NSF Standards.

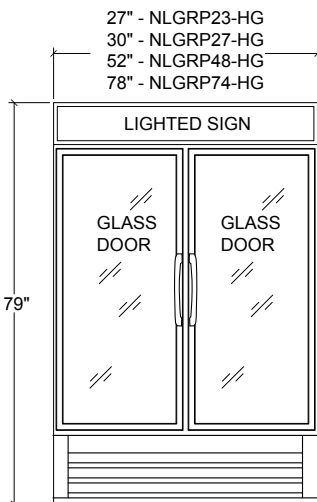
SWING GLASS DOOR MERCHANDISERS



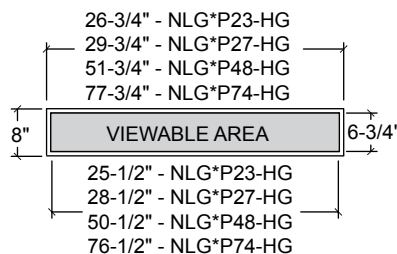
TOP VIEW



SIDE VIEW



FRONT VIEW



GRAPHIC PANEL DIMENSIONS

SPECIFICATIONS

Models	NLGRP23-HG	NLGRP27-HG	NLGRP48-HG	NLGRP74-HG
Crated Weight (lbs) (kg)	330 (149)	345 (155)	530 (239)	715 (322)
Crated Height (in) (cm)	86 (215)	86 (215)	86 (215)	86 (215)
Crated Width (in) (cm)	36 (90)	36 (90)	60 (150)	88 (220)
Crated Depth (in) (cm)	40 (100)	40 (100)	42 (105)	42 (105)
Interior Height (in) (cm)	54-1/2 (138)	54-1/2 (138)	54-1/2 (138)	54-1/2 (138)
Interior Width (in) (cm)	23-1/2 (60)	26-1/2 (67)	48-1/2 (123)	74-1/2 (189)
Interior Depth (in) (cm)	24-1/2 (62)	24-1/2 (62)	24-1/2 (62)	24-1/2 (62)
Overall Height (in) (cm)	79 (201)	79 (201)	79 (201)	79 (201)
Overall Width (in) (cm)	27 (69)	30 (76)	52 (132)	78 (198)
Overall Depth (in) (cm) *	30 (76)	30 (76)	30 (76)	30 (76)
Gross Cubage (CuFt) (L)	22.1 (625)	25.0 (708)	45.7 (1293)	70.2 (1987)
Number of Shelves	4	4	8	12
Shelf Size (SqFt) (Sqm)	13.4 (1.2)	15.2 (1.4)	28.1 (2.6)	43.3 (3.9)
Condensing Unit Size	1/5 HP	1/5 HP	1/3 HP	1/2 HP
Refrigerant	R290	R290	R290	R290
Electrical Characteristics	115/60/1	115/60/1	115/60/1	115/60/1
Cord and Plug Furnished	Yes	Yes	Yes	Yes
NEMA Plug Configuration	5-15P	5-15P	5-15P	5-15P
Total Amp Draw	4.4	4.4	6.8	7.0

Specifications subject to change without notice.

* Does not include door handle



Revision Date: 7/19
Part Number: 154608

