

NOR-LAKE[®] SCIENTIFIC

UNDERCOUNTER PLASMA FREEZER AUTO DEFROST

NSBF041WMW/0

Designed to meet the AABB, ANRC and FDA requirements. Advanced engineered design incorporates the latest in cabinet, refrigeration, temperature control and monitoring features. Provides energy efficient, convenient, safe and reliable performance for optimal storage temperature environments necessary for a wide range of life science, pharmacy, biological, medical, clinical and industrial applications.

Standard Features:

- Digital LED display microprocessor temperature controller
- Audible and visual Hi/Lo temperature alarm
- Adjustable control range from -15°C to -35°C; factory preset at -30°C
- Remote alarm contacts
- Continuous product temperature display
- Product sensor with glycerin bottle
- Temperature chart recorder (free standing) and chart paper
- Exterior cabinet front, sides and top are painted white
- Exterior cabinet back and bottom are galvanized steel
- Interior cabinet liner and interior door are smooth aluminum
- Cabinet and solid door are foamed-in-place with EPA-compliant high-density polyurethane foam insulation
- Heavy-duty solid door with self-closing hinges
- Pull door handle
- Magnetic door gasket
- Centered key door lock (2 keys)
- Solid base with leg levelers
- Air cooled condensing unit
- Base mounted forced air front-breathing refrigeration system
- Automatic defrost and condensate evaporation
- Air intake and exhaust through the base of the unit for build-in on three sides
- Sensor access port 1" diameter
- Condenser filter screen for easy maintenance
- Field reversible door
- Four level drawer assembly with capacity for 88 plasma boxes (5" x 8" x 1")
- Warranties: 18 months parts and labor, 5 year compressor (US and Canada), 18 months parts (International)
- UL, C-UL listed

Optional Features:

- Data Logger/Thermometer Monitor with Digital Display with alarm (field install)
- Extra shelf
- Casters in lieu of base
- Legs in lieu of base
- Stainless steel interior
- Stainless steel exterior
- 4-20ma output
- Export crating
- Stacking kit



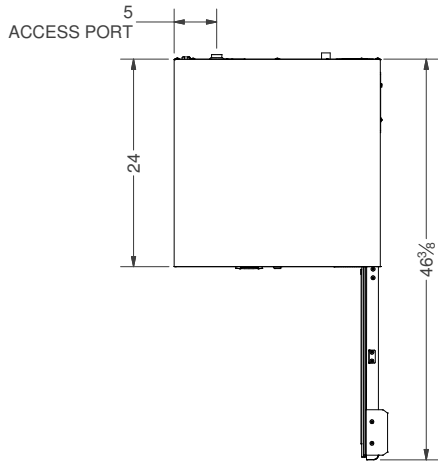
NSBF041WMW/0



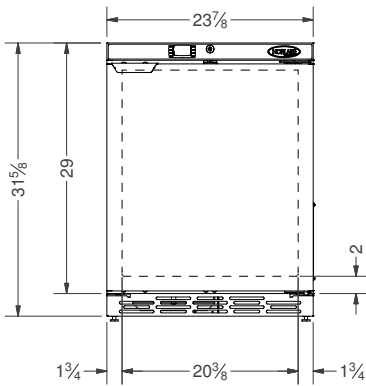
Committed to our environment

NOR-LAKE SCIENTIFIC
A Division of
NOR-LAKE, INCORPORATED
727 Second Street
Hudson, Wisconsin 54016

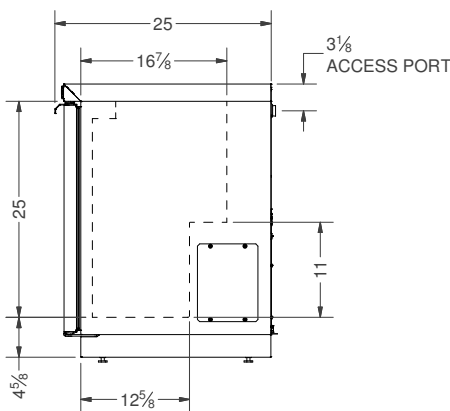
800-477-5253
715-386-2323
800-388-5253 PARTS
715-386-4290 FAX
www.norlakescientific.com



TOP VIEW



FRONT VIEW



SIDE VIEW

SPECIFICATIONS

| Model | NSBF041WMW/0 |
|------------------------------------|---------------------|
| Crated Weight (lbs) (kg) | 140 (63) |
| Crated Height (in) (cm) | 39 (99) |
| Crated Width (in) (cm) | 29 (74) |
| Crated Depth (in) (cm) | 30 (76) |
| Interior Height (in) (cm) | 25 (63) |
| Interior Width (in) (cm) | 20-3/8 (52) |
| Interior Depth (in) (cm) | 16 (41) |
| Overall Height (in) (cm) * | 31-5/8 (80) |
| Overall Width (in) (cm) | 23-7/8 (61) |
| Overall Depth (in) (cm) | 25 (63) |
| Gross Cubage (CuFt) (L) | 4.2 (119) |
| Plasma Box Capacity (5" x 8" x 1") | 88 |
| Number of Drawers | 4 |
| Condensing Unit Size | 1/3 HP |
| Refrigerant | R-404a |
| Electrical Characteristics | 115/60/1 |
| Cord & Plug Furnished | Yes |
| NEMA Plug Configuration | 5-15P |
| Total Amp Draw | 5.2 |

Specifications subject to change without notice.

* The overall heights shown in the table and drawings are with the standard base. With casters, the overall height is 31-1/2". With legs, the overall height is adjustable from 31-1/2" to 32".

** Capacity may vary according to loading preferences and contents.

| Voltage Model Suffix Code | Voltage Description | NEMA Plug | NEMA Receptacle |
|----------------------------------|----------------------------|------------------|------------------------|
| /0 | 115V, 1PH, 60HZ | 5-15P | 5-15R |



Revision Date: 5/18
 ©2018 NOR-LAKE, INC.
 Printed in the U.S.A.
 Part Number: 158062

