

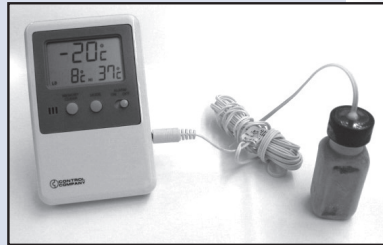
# NOR-LAKE<sup>®</sup> SCIENTIFIC

## GENERAL PURPOSE LABORATORY

### FREEZERS UPRIGHT MANUAL DEFROST

#### Standard Features:

- Operating temperature: -10°C to -20°C
- Manual defrost
- Adjustable temperature control
- (3) three white evaporator shelves, (5) five full-width fixed door shelves on LF161
- (4) four white evaporator shelves, (6) six door shelves on LF201
- Lock with pop out key
- Interior light
- Defrost drain
- 2 adjustable leg levelers
- Automatic door closer
- White interior, exterior, door and handle
- Complete cabinet is foamed-in-place with CFC free high density polyurethane foam insulation
- Warranty: 12 months parts and labor (US and Canada), 12 months parts (International)



Digital Thermometer Alarm (optional)

#### Optional Features:

- Digital thermometer monitor with alarm (field install)
- Export crating



LF161WWW/0M



LF161WWW/0M

LF201WWW/0M

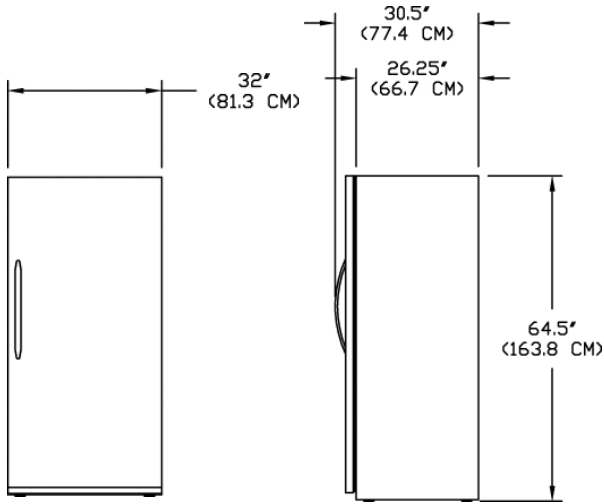
NORLAKE SCIENTIFIC



Committed to our environment

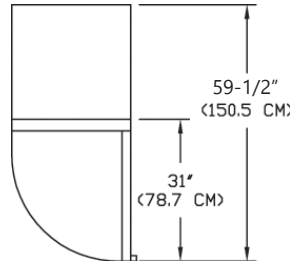
NOR-LAKE SCIENTIFIC  
A Division of  
NOR-LAKE, INCORPORATED  
727 Second Street  
Hudson, Wisconsin 54016

800-477-5253  
715-386-2323  
800-388-5253 PARTS  
715-386-4290 FAX  
[www.norlakescientific.com](http://www.norlakescientific.com)

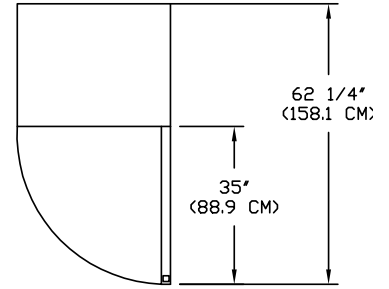


**LF161WWW/0M  
FRONT VIEW**

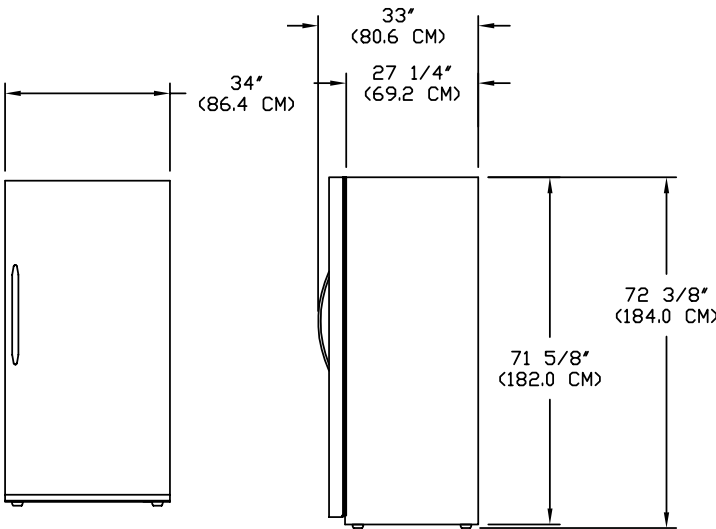
**LF161WWW/0M  
SIDE VIEW**



**LF161WWW/0M  
TOP VIEW**



**LF201WWW/0M  
TOP VIEW**



**LF201WWW/0M  
FRONT VIEW**

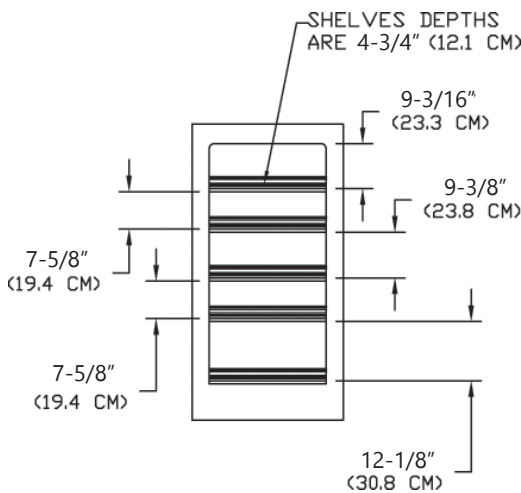
**LF201WWW/0M  
SIDE VIEW**

**SPECIFICATIONS**

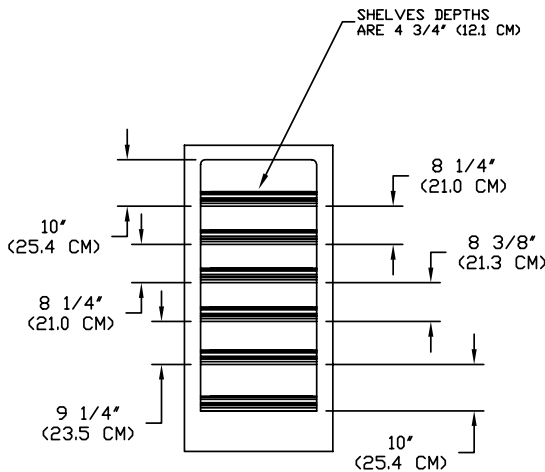
Models	LF161WWW/0M	LF201WWW/0M
Crated Weight (lbs) (kg)	300 (136)	260 (117)
Crated Height (in) (cm)	67-7/8 (172)	79 (201)
Crated Width (in) (cm)	42 (107)	42 (107)
Crated Depth (in) (cm)	42 (107)	42 (107)
Interior Height (in) (cm)	52 (132)	57 (144)
Interior Width (in) (cm)	27-1/2 (70)	27 (69)
Interior Depth (in) (cm)	21-1/2 (55)	24 (60)
Overall Height (in) (cm)	64-1/2 (164)	72-1/2 (184)
Overall Width (in) (cm)	32 (81)	34 (86)
Overall Depth (in) (cm)	30-1/2 (77)	33 (84)
Gross Cubage (CuFt) (L)	17.1 (501)	20.6 (583)
Refrigerant	R-134a	R-134a
Total Amp Draw /0	5.0	5.0

Specifications subject to change without notice

Voltage Model Suffix Code	Voltage Description	NEMA Plug	NEMA Receptacle
/0	115/1PH, 60HZ	5-15P	5-15R



**LF161WWW/0M  
DOOR SHELVES VIEW**



**LF201WWW/0M  
DOOR SHELVES VIEW**



**NORLAKE SCIENTIFIC**

Revision Date: 02/16  
©2016 NOR-LAKE, INC.  
Printed in the U.S.A.  
Part Number: 139509