

# NOR-LAKE<sup>®</sup> SCIENTIFIC

PREMIER<sup>™</sup> SCIENTIFIC, LABORATORY, PHARMACY & PHARMACEUTICAL GRADE

## -25°C GLASS DOOR LOW TEMPERATURE FREEZER

Designed to meet the demanding requirements for scientific and laboratory research. Advanced engineered design incorporates the latest in cabinet, refrigeration, temperature control and monitoring features. Provides energy efficient, convenient, safe and reliable performance for optimal storage temperature environments necessary for a wide range of life science, pharmacy, biological, medical, clinical, vaccine and industrial applications.

### Standard features include:

- Digital LED Microprocessor temperature controller with Hi/Lo audible and visual alarm
- Remote alarm contacts
- Adjustable temperature control range from -15°C to -25°C; factory preset at -20°C
- Continuous product temperature display
- Product sensor with glycerin bottle
- Power supply switch
- Exterior cabinet front, sides and back are painted white
- Exterior cabinet top and bottom are galvanized steel
- Interior cabinet liner painted white
- Cabinet is foamed-in-place with CFC-free high density polyurethane foam insulation
- Glass door(s), full size, double pane, with anti-condensate heater wires
- Heavy duty door pivot hinges
- Centered key door locks (2 keys)
- Pull door handles(s)
- Four (4) casters (2 locking)
- Three (3) epoxy coated wire shelves per door
- Perimeter anti-condensate door opening heater wires
- Magnetic door gasket
- Interior LED light
- Air cooled condensing unit
- Top mounted forced air refrigeration system
- Automatic defrost and condensate evaporation
- Warranties: 18 month parts and labor, 5 year compressor (US and Canada) 18 months parts (International)
- UL, C-UL listed

### Optional features include:

- Data Logger/Thermometer Monitor with Digital Display with alarm (field install)
- Legs in lieu of casters
- Stainless steel drawer (8 per door)
- Wire basket drawer (8 per door)
- Extra shelf
- Stainless steel exterior
- Stainless steel interior
- Reverse door hinge
- 4-20ma output
- Temperature chart recorder with chart paper
- Sensor access port 1" diameter
- Export crating



NSXF211WWG/0



NSXF211WWG/0

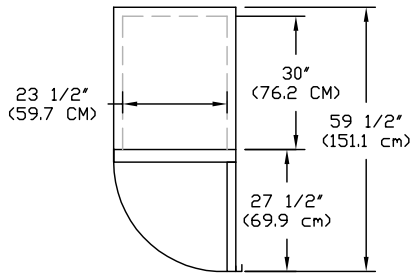
NSXF482WWG/0

NORLAKE SCIENTIFIC

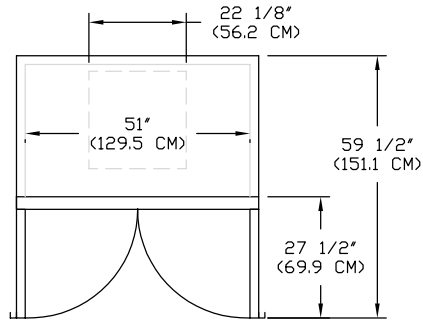


NOR-LAKE SCIENTIFIC  
A Division of  
NOR-LAKE, INCORPORATED  
727 Second Street  
Hudson, Wisconsin 54016

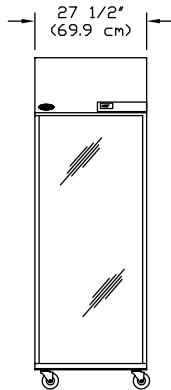
800-477-5253  
715-386-2323  
800-388-5253 PARTS  
715-386-4290 FAX  
www.norlakescientific.com



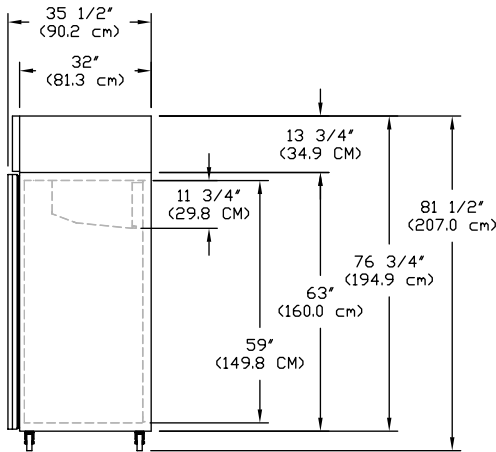
**NSXF211WWG/0  
TOP VIEW**



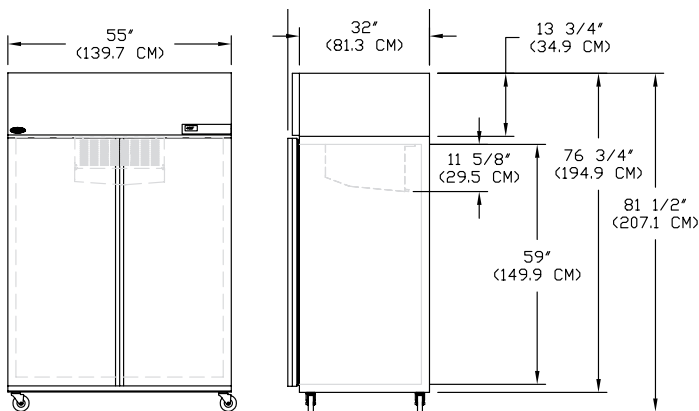
**NSXF482WWG/0  
TOP VIEW**



**NSXF211WWG/0  
FRONT VIEW**



**NSXF211WWG/0  
SIDE VIEW**



**NSXF482WWG/0  
FRONT VIEW      SIDE VIEW**

**SPECIFICATIONS**

<b>Models</b>	<b>NSXF211WWG/0</b>	<b>NSXF482WWG/0</b>
<i>Crated Weight (lbs) (kg)</i>	485 (181)	700 (317)
<i>Crated Height (in) (cm)</i>	81 (205)	83 (210)
<i>Crated Width (in) (cm)</i>	37 (94)	59 (149)
<i>Crated Depth (in) (cm)</i>	38 (96)	38 (96)
<i>Interior Height (in) (cm)</i>	59 (149)	59 (149)
<i>Interior Width (in) (cm)</i>	23-1/2 (59)	51 (129)
<i>Interior Depth (in) (cm)</i>	30 (76)	30 (76)
<i>Overall Height (in) (cm)</i>	81-1/2 (207)	81-1/2 (207)
<i>Overall Width (in) (cm)</i>	27-1/2 (69)	55 (139)
<i>Overall Depth (in) (cm)</i>	35-1/2 (90)	35-1/2 (90)
<i>Gross Cubage (CuFt) (L)</i>	22.5 (639)	48.8 (1381)
<i>Number of Shelves</i>	3	6
<i>Shelf Area (SqFt) (Sqm)</i>	18.3 (1.7)	39.7 (3.7)
<i>Number of Casters</i>	4	4
<i>Condensing Unit Size</i>	1 HP	1 HP
<i>Refrigerant</i>	R-404a	R-404a
<i>Electrical Characteristics</i>	115/60/1	115/60/1
<i>Cord &amp; Plug Supplied</i>	Yes	Yes
<i>Total Amp Draw</i>	15.8	15.8

*Specifications subject to change without notice.*

<b>Voltage Model Suffix Code</b>	<b>Voltage Description</b>	<b>NEMA Plug</b>	<b>NEMA Receptacle</b>
/0	115/1PH/60HZ	5-20P	5-20R



Revision Date: 5/18  
©2015 NOR-LAKE, INC.  
Printed in the U.S.A.  
Part Number: 121228

