

NOR-LAKE[®] SCIENTIFIC UNDERCOUNTER BOD REFRIGERATED INCUBATOR

Designed to meet the demanding requirements of Biochemical Oxygen Demand (BOD), scientific and laboratory applications. Industrial quality cabinet with a heavy duty refrigeration system will store up to (71) 300 ml BOD bottles.

Standard Product Features:

- Operating temperature: +5°C to +50°C
- Programmable logic microprocessor controller
- 4 digit LED display with 8 button interface
- Continuous product temperature Hi/Lo alarms, audible and visual
- 2 levels of user password protection (set points and parameters)
- Integrated Hi/Lo alarm tests
- Power failure alarm
- Proportional control and capacity output
- White interior, exterior, door and handle
- 2 wire shelves
- Streamlined refrigeration design optimizes air flow and temperature uniformity
- Selectable on demand auto defrost
- Key lock door (2 keys)
- 2 adjustable leveling legs
- Interior light
- 1" diameter access port with plug
- 3 full width door storage compartments
- Complete cabinet is foamed-in-place with CFC - free high density polyurethane foam insulation
- Stackable design with optional stacking kit
- Compatible with laboratory case work dimensions
- Reversible door
- Warranties: 12 months parts and labor (US and Canada), 12 months parts (International)

Optional Product Features:

- Export crating (required for export shipments)
- Stacking kit
- Wire shelf, large



LRI061WWW/0



LRI061WWW/0

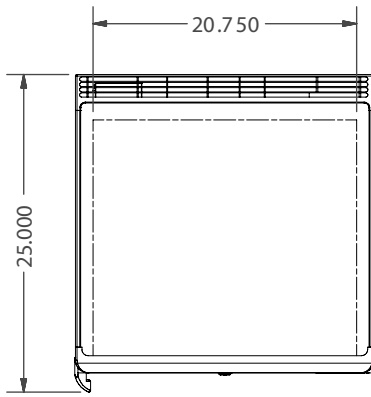
NORLAKE[®] SCIENTIFIC



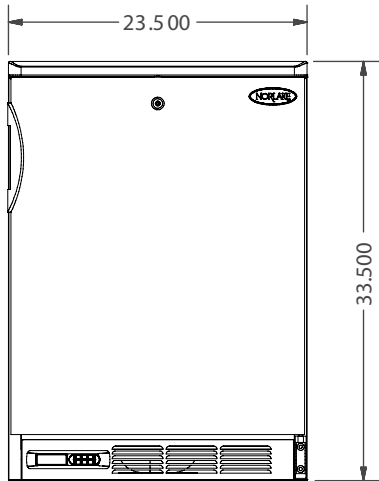
Committed to our environment

NOR-LAKE SCIENTIFIC
A Division of
NOR-LAKE, INCORPORATED
727 Second Street
Hudson, Wisconsin 54016

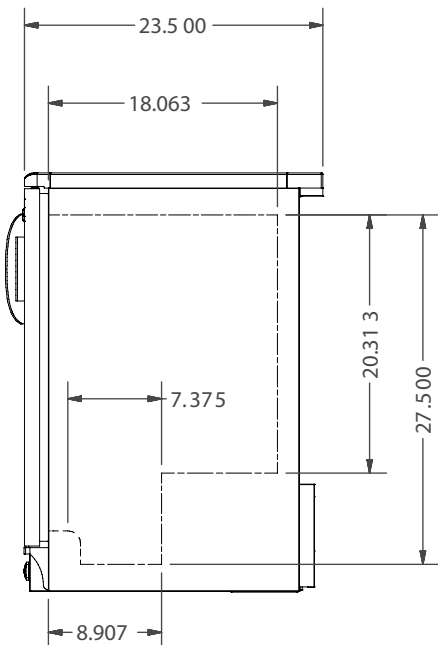
800-477-5253
715-386-2323
800-388-5253 PARTS
715-386-4290 FAX
www.norlakescientific.com



TOP VIEW



FRONT VIEW



SIDE VIEW

SPECIFICATIONS

Model	LRI061WWW/0
Crated Weight (lbs) (kg)	105 (263)
Crated Height (in) (cm)	39-1/2 (99)
Crated Width (in) (cm)	30 (60)
Crated Depth (in) (cm)	28-1/4 (71)
Interior Height (in) (cm)	27-1/2 (69)
Interior Width (in) (cm)	20-3/4 (52)
Interior Depth (in) (cm)	17-3/4 (45)
Overall Height (in) (cm)	33-1/2 (85)
Overall Width (in) (cm)	23-5/8 (60)
Overall Depth (in) (cm)	24-7/8 (59)
Gross Cubage (CuFt) (L)	5-1/2 (156)
Number of Shelves	2
Shelf Area (SqFt) (Sqm)	3.84 (.36)
Refrigerant	R-134a
Total Amp Draw	2.7
Cord & Plug Furnished	Yes, hospital grade

Specifications subject to change without notice.

Voltage Model Suffix Code	Voltage Description	NEMA Plug	NEMA Receptacle
/0	115V, 1PH, 60HZ	5-15P	5-15R

Temperature Variation: +/- 0.45°C at +5°C to +50°C:

The published temperature variation is derived from the maximum deviation of a thermocouple located nearest the chamber geometric center during the entire test period divided by 2. (i.e. 24.0°C min and 25.0°C max would be a variation of +/- 0.5°C). Testing is based on 23.0°C, 50% RH ambient conditions and is performed with type T-24 Ga. thermocouples. Data may vary if; ambient conditions change, product load is added or other changes cause interference to chamber airflow.



NORLAKE SCIENTIFIC

Revision Date: 5/18
 ©2014 NOR-LAKE, INC.
 Printed in the U.S.A.
 Part Number: 151535

