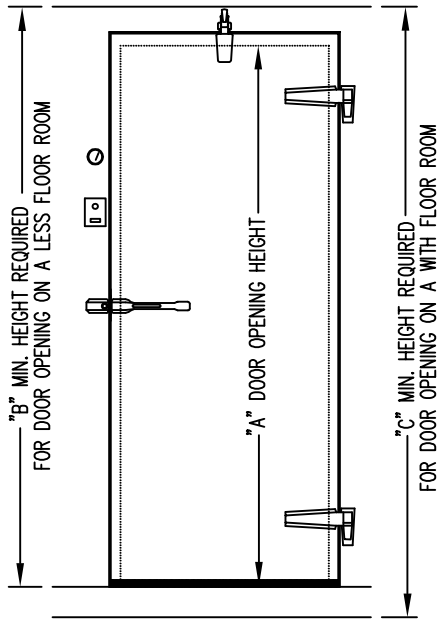


DETAILS FOR DOORS OPENING THROUGH BUILDING WALLS



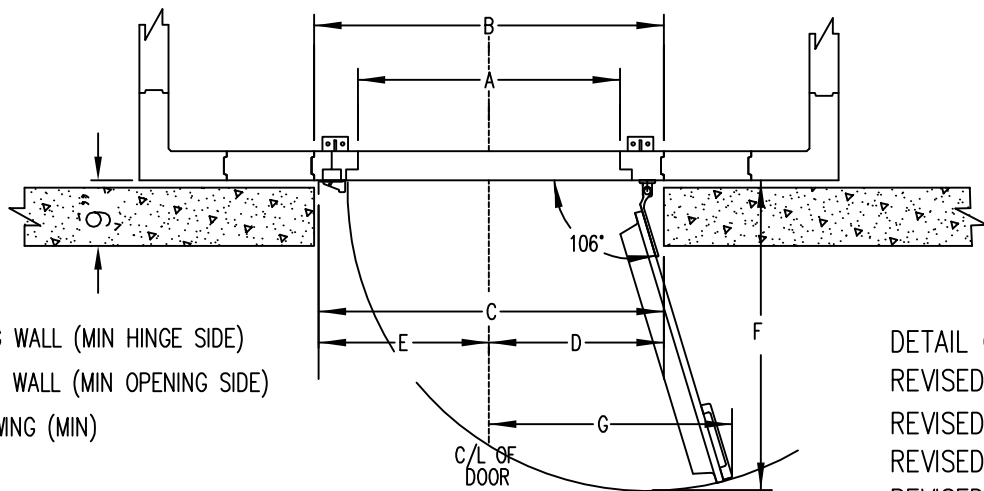
DOOR HEIGHT	OPENING HEIGHT	
	"B"	"C"
66"	72"	76"
72"	78"	82"
78"	84"	88"
84"	90"	94"
92"	98"	102"
96"	102"	106"

COOLER DOORS

A	B	C	D	E	F	G
24"	48"	35.1/2"	17.3/4"	17.3/4"	29.1/2"	28 1/2"
26"	48"	39"	18.3/4"	20.1/4"	31.1/2"	29"
30"	48"	41.1/2"	20.3/4"	20.3/4"	35.1/2"	31"
36"	48"	47.1/2"	23.3/4"	23.3/4"	41.1/2"	33 1/2"
42"	60"	53.1/2"	26.3/4"	26.3/4"	47.1/2"	36"
48"	60"	59.1/2"	29.3/4"	29.3/4"	53.1/2"	39"
60"	72"	71.1/2"	35.3/4"	35.3/4"	65.1/2"	44 1/2"

FREEZER DOORS

A	B	C	D	E	F	G
24"	48"	41.3/4"	24"	17.3/4"	29.1/2"	28 1/2"
26"	48"	44.1/4"	24"	20.1/4"	31.1/2"	29"
30"	48"	44.3/4"	24"	20.3/4"	35.1/2"	31"
36"	48"	47.3/4"	24"	23.3/4"	41.1/2"	33 1/2"
42"	60"	56.3/4"	30"	26.3/4"	47.1/2"	36"
48"	60"	59.3/4"	30"	29.3/4"	53.1/2"	39"
60"	72"	71.3/4"	36"	35.3/4"	65.1/2"	44 1/2"



DETAIL 034F
 REVISED 1/15/10
 REVISED 3/24/03 (BD)
 REVISED 6/24/15 (KB)
 REVISED 10/1/15 (KB)

- A = DOOR OPENING SIZE
- B = DOOR PANEL SIZE
- C = BUILDING OPENING REQUIRED (MIN)
- D = C/L OF DOOR OPENING TO BUILDING WALL (MIN HINGE SIDE)
- E = C/L OF DOOR OPENING TO BUILDING WALL (MIN OPENING SIDE)
- F = CLEARANCE REQUIRED FOR DOOR SWING (MIN)
- G = DOOR OPEN POSITION AT 106°

