



ITEM NO. _____
 PROJECT _____
 LOCATION _____
 DATE _____ QTY. _____

ADVANTEDGE™ NLPT SERIES

Pizza Prep Tables

MODELS

- NLPT44
- NLPT67
- NLPT93



NLPT67



FEATURES

CONSTRUCTION

- Stainless steel interior and exterior (aluminum back and galvanized bottom)
- Foamed-in-place with low ODP polyurethane insulation
- Wall thickness: 1.75"
- Insulated top lids
- 1/2" thick, 19" deep reversible cutting board
- Standard 1/3 size pans
- Adjustable heavy-duty shelves
- 6" diameter casters

DOORS

- Self-closing
- Magnetic gasket
- Heavy-duty ergonomic handle
- Standard door swing configuration:
 - NLPT44: hinged left
 - NLPT67: left hinged left, right hinged right
 - NLPT93: left hinged left, middle hinged left, right hinged right
- Door width:
 - NLPT44: 29-7/8"
 - NLPT67 and NLPT93: 26"

REFRIGERATION

- Self-contained forced air refrigeration system
- Coated evaporator coils
- Automatic defrost and condensate evaporator
- Adjustable temperature control
- Refrigerant: R290
- Temperature range: 34°F to 38°F for storage area, 33°F to 41°F for refrigerated rail

WARRANTY

- Standard limited three year parts and labor
- Additional two year coverage on compressor part



Standard drop-in section:

- Fans force cold air into this enclosed area keeping stored food items consistently cold
- A stainless steel divider prevents food spillage into the storage area beneath
- Accommodates 6" deep pans (4" standard)

OPTIONS

- 6" legs in lieu of casters (legs shipped loose)
- Additional shelves
- Single or double overshelf



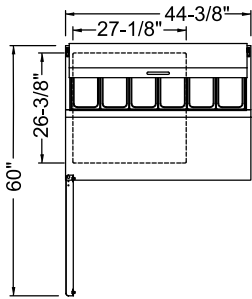


ADVANTEDGE™ NLPT SERIES
PIZZA PREP TABLES

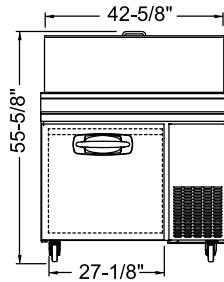
TECHNICAL SPECIFICATIONS

Models	NLPT44	NLPT67	NLPT93
Crated Weight (lbs) (kg)	304 (138)	397 (180)	489 (222)
Crated Height (in) (mm)	41 (1041)	41 (1041)	41 (1041)
Crated Width (in) (mm)	48 (1219)	71 (1803)	98 (2489)
Crated Depth (in) (mm)	37 (940)	37 (940)	37 (940)
Interior Height (in) (mm)	23.3 (592)	23.3 (592)	23.3 (592)
Interior Width (in) (mm)	27.1 (688)	49.7 (1262)	76 (1930)
Interior Depth (in) (mm)	26.4 (671)	26.4 (671)	26.4 (671)
Overall Height (in) (mm)*	42.4 (1077)	42.4 (1077)	42.4 (1077)
Overall Width (in) (mm)	44.4 (1128)	67 (1702)	93.3 (2370)
Overall Depth (in) (mm)**	32.7 (831)	32.7 (831)	32.7 (831)
Gross Cubage (CuFt) (L)	9.7 (275)	17.8 (504)	27.2 (770)
Number of 1/3 Pans	6	9	12
Number of Shelves	2	4	6
Shelf Area (SqFt) (Sqm)	14.1 (1.31)	25.8 (2.40)	39.9 (3.71)
Number of Casters	4	4	6
Condensing Unit Size	3/8 HP	3/8 HP	1/2 HP
Refrigerant	R290	R290	R290
Electrical Characteristics	115/60/1	115/60/1	115/60/1
NEMA Plug Configuration	5-15P	5-15P	5-15P
Total Amp Draw	3.5	3.5	3.5

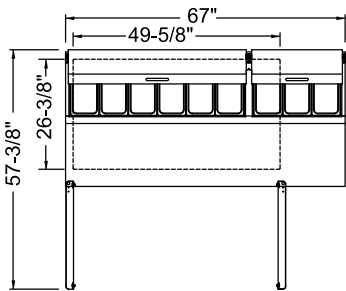
*Height includes casters. ***Overall depth not including removable cutting board



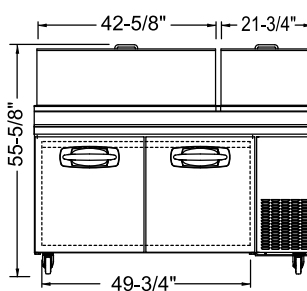
NLPT44 PLAN VIEW



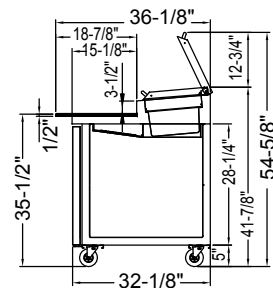
NLPT44 ELEVATION VIEW



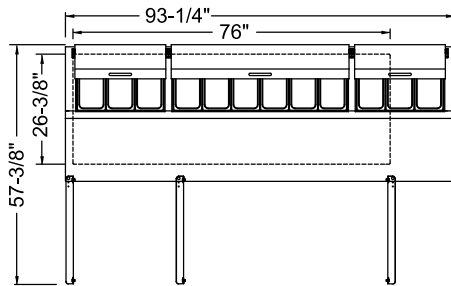
NLPT67 PLAN VIEW



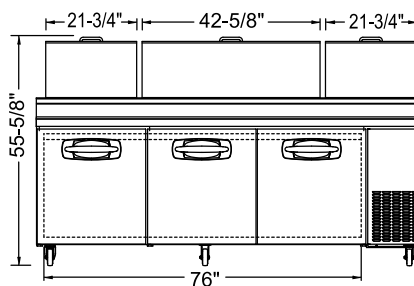
NLPT67 ELEVATION VIEW



ALL MODELS
SIDE VIEW



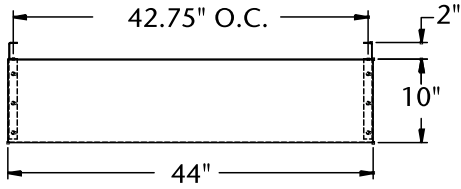
NLPT93 PLAN VIEW



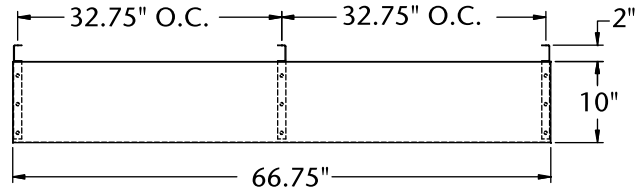
NLPT93 ELEVATION VIEW



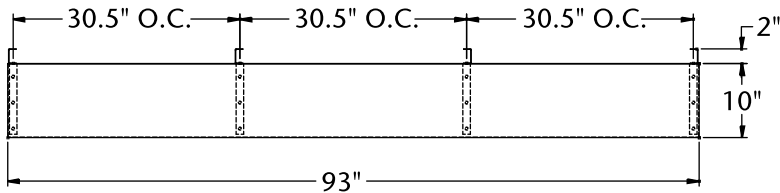
OPTIONAL OVERSHELF SPECIFICATIONS



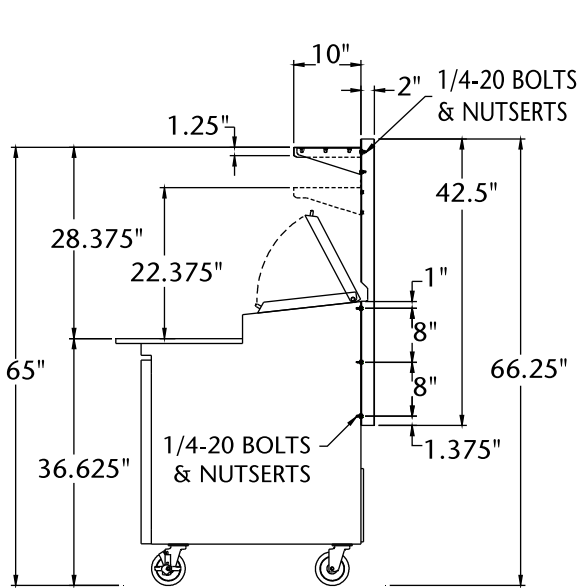
PLAN VIEW NLPT44



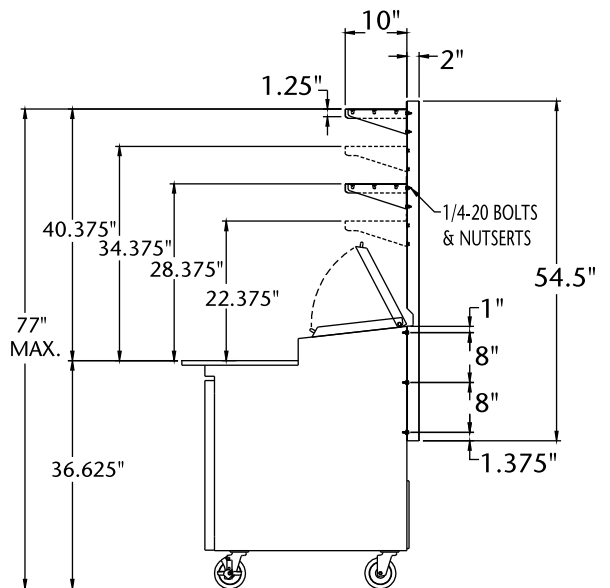
PLAN VIEW NLPT67



PLAN VIEW NLPT93



SINGLE SHELF SIDE VIEW



DOUBLE SHELF SIDE VIEW



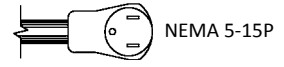
ADVANTEDGE™ NLPT SERIES PIZZA PREP TABLES

LISTINGS



HOOKUP

All models via plug in, 9 foot long flexible three wire 14/3 cord with molded plug.



BID SPECIFICATIONS

Item no. NLPT ____.

Provide ____ Pizza Prep Table(s),
Norlake model no. NLPT ____.

Prep table will be constructed of
stainless steel interior and exterior.
Standard features will include a 1/2"
thick, 19" deep reversible cutting

board, 1/3 size pans, insulated lids,
adjustable heavy-duty shelves and 6"
diameter casters.

The refrigeration system will be
self-contained. All models will contain
R290 refrigerant. The temperature
range will be 34°F to 38°F for storage

area, 33°F to 41°F for refrigerated rail.

Prep table to have standard limited
three year parts and labor with
additional two year coverage on
compressor part.

Prep table to be UL, C-UL and ETL
Sanitation listed.

**NOTE: Cabinet designed for optimum performance in air-conditioned area at 75°F ambient and 55% relative humidity.
All specifications within this publication subject to change without notice.**

