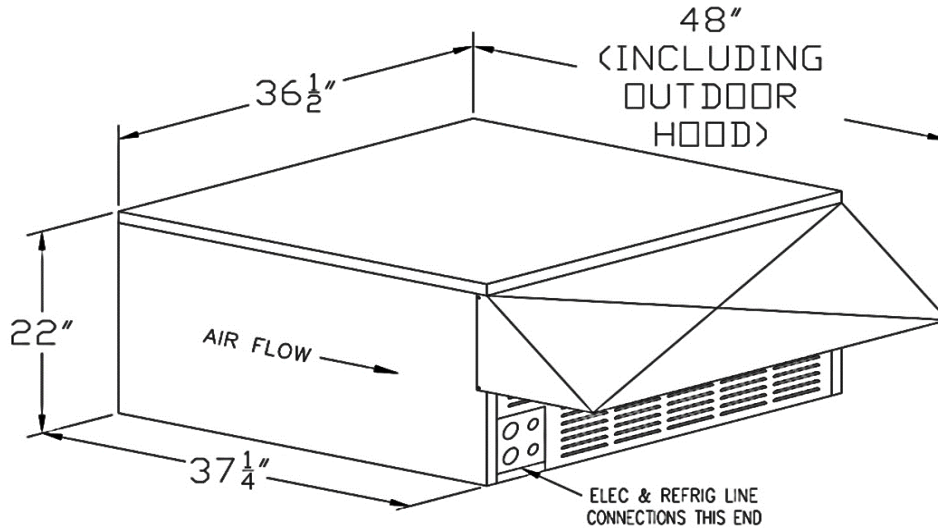


FREEZER System

Refrigeration Specifications

LASJ200RCC3

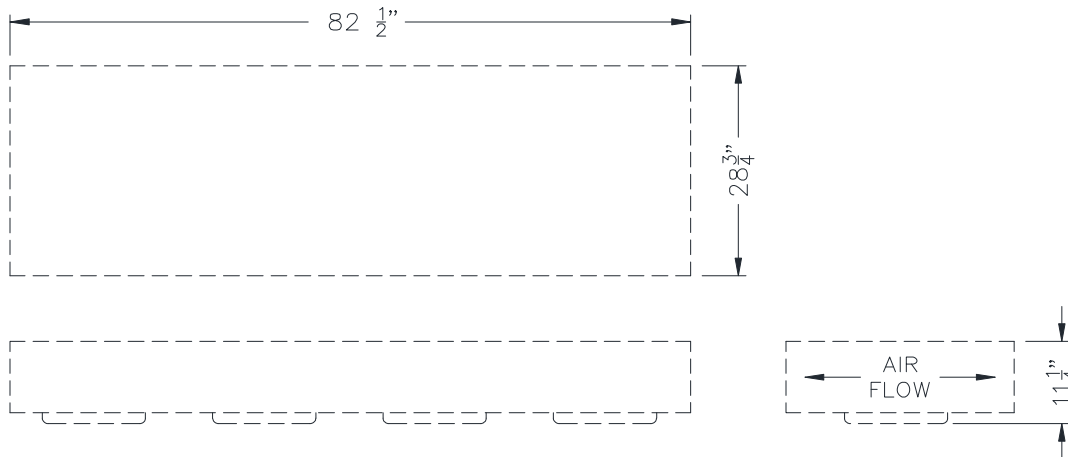
Compressor	Air cooled Condensing Unit	Rack Size	Refrigerant
Scroll	208-230/60/3	B	R449A



Condensing Unit MOP 20

Model #	HP	Electical Data		BTU Capacity		Connection sizes		Weight (lbs)
		MCA	MOP	Temp Setpoint -10° @ 100° Ambient		Liquid (in)	Suction (in)	
LASJ200RCC3	2	14.76	20	7,477		1/2	7/8	269

Evaporator Unit Cooler 230/60/1



Evaporator MOP 20

Evaporator Specifications

Model #	Fan Qty	CFM	Electrical Data (1)			Connection sizes			Weight (lbs)
			MCA	MOP	Elec Defrost Amps	Liquid(in)	Suction(in)	Drain(in)	
DFE46-90DE-E	4	2020	17.41	20	13	1/2	7/8	3/4	130

Model# LASJ200RCC3	Cond part #	Nominal voltage	MCA	MOP	Weight
	LASJ200RCC3	208-230/60/3	14.76	20	269
Heat of Rejection btu/hr 0	Evap part #	Nominal voltage	MCA	MOP	Weight
	DFE46-90DE-E	230/60/1	17.41	20	130

