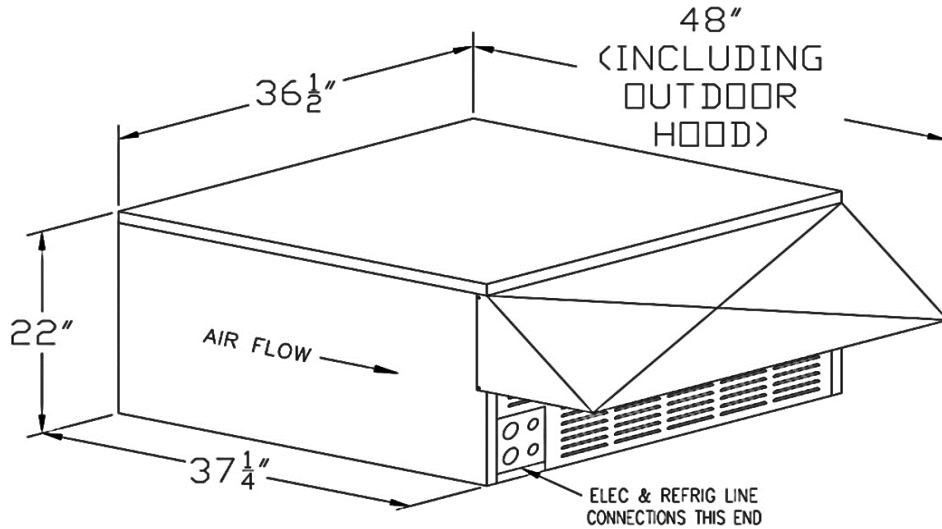


FREEZER System

Refrigeration Specifications

LASJ225RCC4

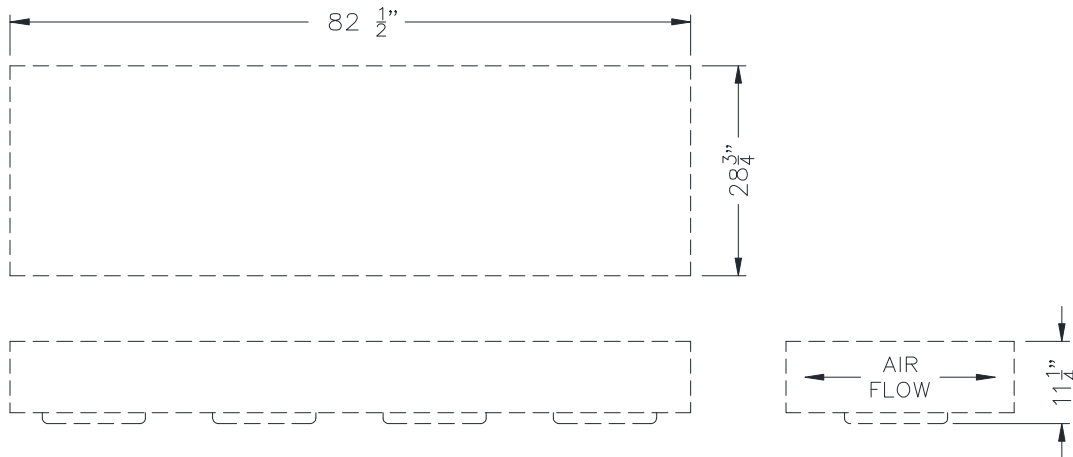
Compressor	Air cooled Condensing Unit	Rack Size	Refrigerant
Scroll	208-230/60/1	B	R449A



Condensing Unit MOP 40

Model #	HP	Electical Data		BTU Capacity		Connection sizes		Weight (lbs)
		MCA	MOP	Temp Setpoint -10° @ 100° Ambient		Liquid (in)	Suction (in)	
LASJ225RCC4	2 1/4	24.08	40	8,410		1/2	7/8	269

Evaporator Unit Cooler 230/60/1



Evaporator MOP 20

Evaporator Specifications

Model #	Fan Qty	CFM	Electrical Data (1)			Connection sizes			Weight (lbs)
			MCA	MOP	Elec Defrost Amps	Liquid(in)	Suction(in)	Drain(in)	
DFE46-100DE-E	4	1860	17.41	20	13	1/2	7/8	3/4	135

Model#	Cond part #	Nominal voltage	MCA	MOP	Weight
LASJ225RCC4	LASJ225RCC4	208-230/60/1	24.08	40	269
Heat of Rejection btu/hr	Evap part #	Nominal voltage	MCA	MOP	Weight
0	DFE46-100DE-E	230/60/1	17.41	20	135

