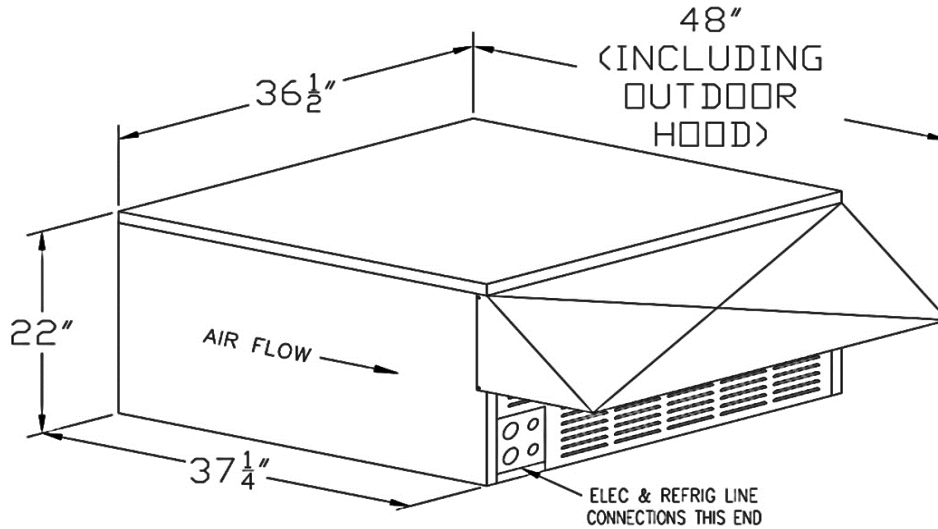


**FREEZER System**

**Refrigeration Specifications**

**LASJ300RCC4**

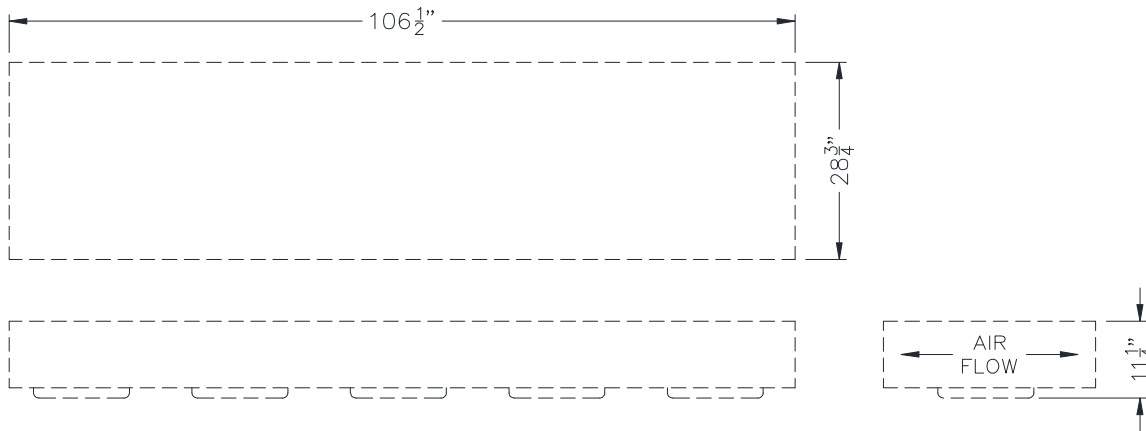
Compressor	Air cooled Condensing Unit	Rack Size	Refrigerant
Scroll	208-230/60/1	B	R449A



**Condensing Unit MOP 60**

Model #	HP	Electical Data		BTU Capacity	Connection sizes		Weight (lbs)
		MCA	MOP	Temp Setpoint -10° @ 100° Ambient	Liquid (in)	Suction (in)	
LASJ300RCC4	3	36.2	60	11,727	0	0	288

**Evaporator Unit Cooler  
230/60/1**



**Evaporator MOP 20**

**Evaporator Specifications**

Model #	Fan Qty	CFM	Electrical Data (1)			Connection sizes			Weight (lbs)
			MCA	MOP	Elec Defrost Amps	Liquid(in)	Suction(in)	Drain(in)	
DFE56-125DE-E	5	2440	22.7	20	17	1/2	7/8	3/4	150

Model# <b>LASJ300RCC4</b>	Cond part #	Nominal voltage	MCA	MOP	Weight
	LASJ300RCC4	208-230/60/1	36.2	60	288
Heat of Rejection btu/hr 0	Evap part #	Nominal voltage	MCA	MOP	Weight
	DFE56-125DE-E	230/60/1	22.7	20	150

