



NOR-LAKE, INCORPORATED  
727 Second Street  
Hudson, Wisconsin 54016

800-955-5253  
715-386-2323  
866-961-5253 Parts  
800-388-5253 Service  
715-386-6149 FAX  
www.norlake.com

## ADVANTEDGE™ TOPMOUNT REACH-IN REFRIGERATORS



NLTR72-S

PROJECT:

ITEM NUMBER:

MODEL NUMBER:

### SPECIFICATIONS FOR: NLTR23-S, NLTR49-S, NLTR72-S

- **Exterior Finish:** Exterior front sides and doors are stainless steel. Exterior top, bottom and back are galvanized steel.
- **Interior Finish:** Interior liner and interior door panel are stainless steel.
- **Insulation:** The complete cabinet and door(s) are foamed-in-place with environmentally-friendly polyurethane foam insulation.
- **Hardware:** Heavy duty, pivot hinges; key locks; curved handle with recessed pocket; self adjusting magnetic gaskets; 4" dia. casters (4 casters on one and two door models and 6 casters on three door model). 4 vinyl coated shelves per door section standard.
- **Electrical:** An interior LED light is activated by a switch for each door.
- **Instrumentation:** Microprocessor with digital display allows temperature adjustment at control panel.
- **Refrigeration:** Complete top mounted refrigeration system with a copper tube, ceiling mount, aluminum fin, epoxy-coated evaporator. The condensate is collected and automatically evaporated from an energy efficient hot gas style vaporizer. Refrigerant flow is controlled by a capillary tube. R290 refrigerant. Operating temperature range: +34°F to +38°F.
- **Approvals:** UL, C-UL, ETL Sanitation, and DOE listed.

### STANDARD FEATURES

- Air-cooled condensing unit
- Automatic condensate vaporizer
- Automatic defrost
- Casters
- Capillary tube system
- Curved handle with recessed pocket
- Door open alarm
- Interior light
- Key locks
- Magnetic gasket
- Microprocessor with digital display
- Operating temperature range: +34°F to +38°F
- Polyurethane insulation
- R290 refrigerant
- Stainless steel interior and exterior
- Vinyl coated shelves
- UL, C-UL, ETL Sanitation & DOE listed.
- Warranties: 3 year parts and labor, 5 year compressor

### OPTIONAL FEATURES\*

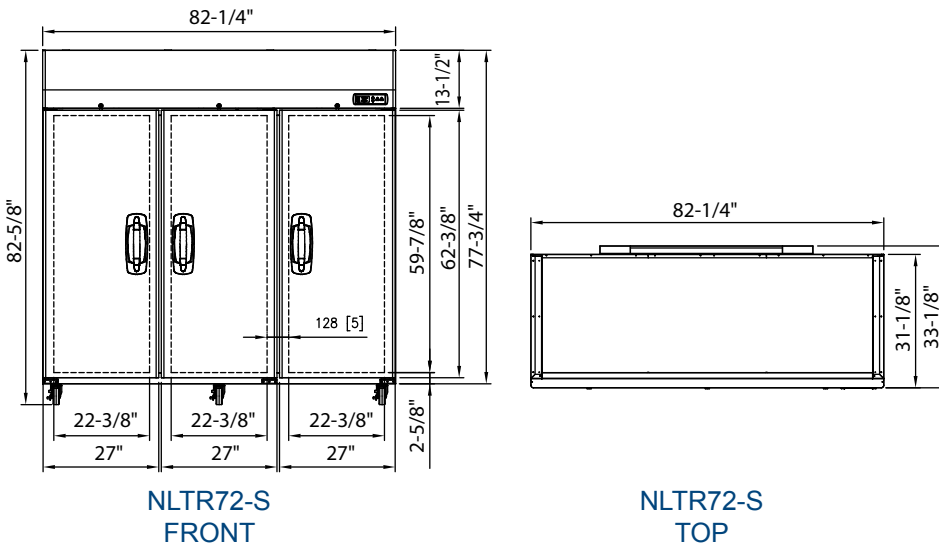
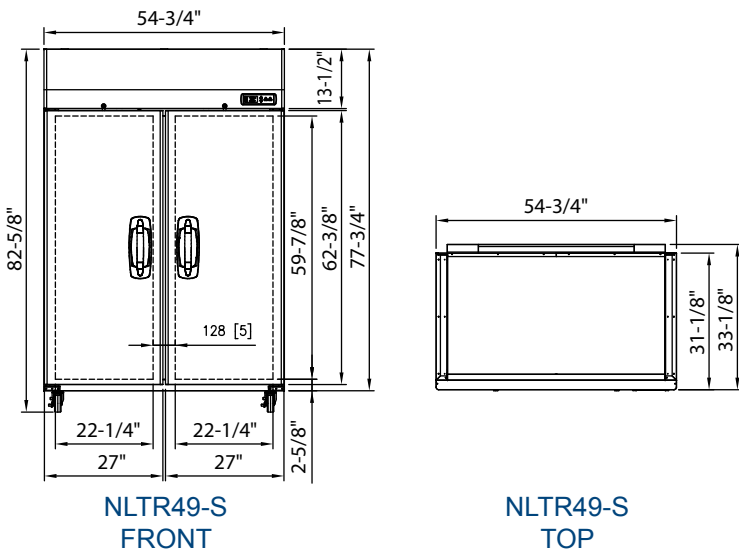
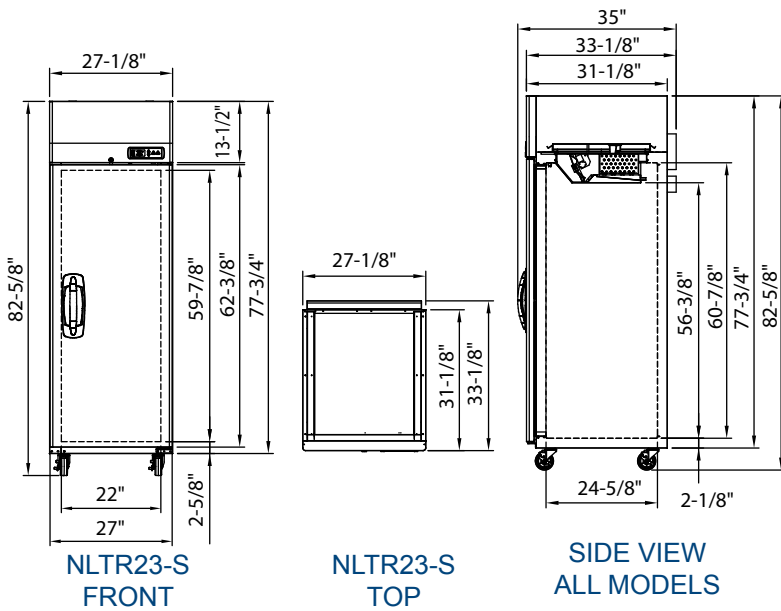
- Extra shelves
- Field reversible hinge kit for single door models (part # 146524)
- Pan slide rack (part # 146515)

\* Most options are available two weeks from receipt of order. Please contact us for specific questions.

\*\* C-UL is Underwriters Laboratories Safety Certification Mark which indicates that UL has tested the equipment to applicable CSA Standards.

\*\* ETL-Sanitation is Intertek Laboratories Safety Certification Mark which indicates that ETL has tested the equipment to applicable NSF Standards.

1, 2 & 3 DOOR TOPMOUNT REFRIGERATORS



SPECIFICATIONS			
Models	NLTR23-S	NLTR49-S	NLTR72-S
Crated Weight (lbs) (kg)	247 (112)	368 (167)	516 (234)
Crated Height (in) (cm)	83-1/2 (212)	83-1/2 (212)	83-1/2 (212)
Crated Width (in) (cm)	29 (74)	57 (145)	85 (216)
Crated Depth (in) (cm)	35 (89)	35 (89)	35 (89)
Interior Height (in) (cm)	56-3/8 (143)	56-3/8 (143)	56-3/8 (143)
Interior Width (in) (cm)	22 (56)	49-1/2 (126)	77-1/8 (196)
Interior Depth (in) (cm)	24-5/8 (63)	24-5/8 (63)	24-5/8 (63)
Overall Height (in) (cm) *	82-5/8 (210)	82-5/8 (210)	82-5/8 (210)
Overall Width (in) (cm)	27-1/8 (69)	54-3/4 (139)	82-1/4 (209)
Overall Depth (in) (cm)	33-1/8 (84)	33-1/8 (84)	33-1/8 (84)
Gross Cubage (CuFt) (L)	19.5 (552)	42.7 (1209)	66.0 (1869)
Number of Shelves	4	8	12
Shelf Area (SqFt) (Sqm)	18.75 (1.74)	37.5 (3.48)	56.25 (5.23)
Number of Casters	4	4	6
Condensing Unit Size	3/8 HP	3/8 HP	3/8 HP
Refrigerant	R290	R290	R290
Electrical Characteristics	115/60/1	115/60/1	115/60/1
Cord & Plug Furnished	Yes	Yes	Yes
NEMA Plug Configuration	5-15P	5-15P	5-15P
Total Amp Draw	3.5	3.7	4.5

Specifications subject to change without notice.

\* The overall heights shown in the table and drawings are with casters.



Revision Date: 9/20  
 Part Number: 171296