

L1LD0043B-MR EVAPORATOR UNIT



Note: Pictures are for illustration only, and may not reflect the listed model.



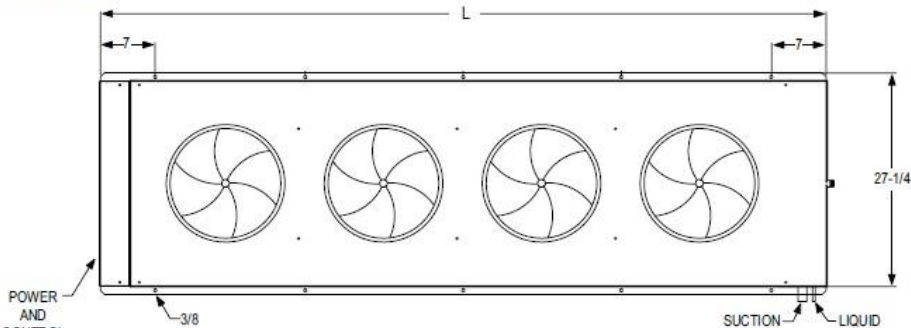
| GENERAL | | | | | |
|---------------|--------------|------------------|----------------|-------------------|----------|
| REFRIGERANT | VOLTAGE | EVAPORATOR MODEL | DEFROST SCHEME | CONTROLLER | LISTINGS |
| R-448A/R-449A | 208-230/60/1 | WE6E037DDA | REVERSE CYCLE | MASTER CONTROLLER | UL/CUL |

| BTUH CAPACITY (At Saturated Suction Temperature (SST) with 10° TD) | | | | | | | |
|--|-------|-------|----|----|----|----|----|
| -30 | -20 | -10 | 20 | 25 | 30 | 35 | 45 |
| 4,139 | 4,300 | 4,461 | - | - | - | - | - |

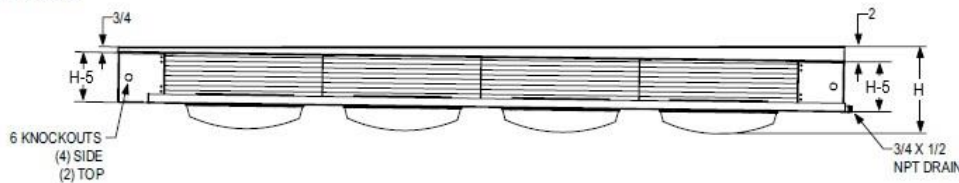
| DIMENSIONAL DATA | | | | INSTALLATION | | | |
|------------------|--------|-------|----------|--------------|---------|------------------|--|
| OVERALL (inches) | | | WT (lbs) | CONNECTIONS | | REFRIGERANT TYPE | |
| L | W | H | | LIQUID | SUCTION | | |
| 32 | 28.375 | 11.25 | 55 | 3/8 | 7/8 | R-448A/R-449A | |

| EVAPORATOR ELECTRICAL DATA | | | | EXPANSION VALVE | | DISTRIBUTOR NOZZLE/ORIFICE | |
|----------------------------|----------|--------------|---------|-----------------|--------------|----------------------------|---------|
| FAN QUANTITY | FAN AMPS | DEFROST AMPS | | TXV/EEV | | PART NUMBER | TYPE |
| | | 1 PHASE | 3 PHASE | PART NUMBER | MODEL NUMBER | | |
| 1 | 0.5 | 1.3 | N/A | 19-13772 | SER-6 | - | L, #1/2 |

Bottom View



Side View



End View

