

L1LD0087B-TE EVAPORATOR UNIT



Note: Pictures are for illustration only,
and may not reflect the listed model.



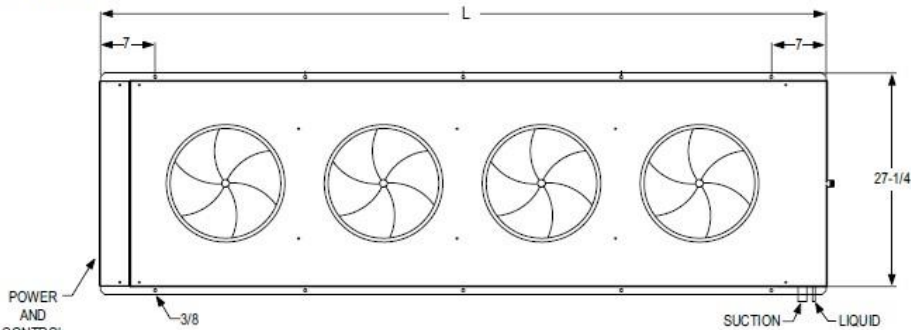
| GENERAL | | | | | |
|---------------|--------------|------------------|----------------|------------|----------|
| REFRIGERANT | VOLTAGE | EVAPORATOR MODEL | DEFROST SCHEME | CONTROLLER | LISTINGS |
| R-448A/R-449A | 208-230/60/1 | WE6E075DDA | ELECTRIC | THERMOSTAT | UL/CUL |

| BTUH CAPACITY (At Saturated Suction Temperature (SST) with 10° TD) | | | | | | | |
|--|-------|-------|----|----|----|----|----|
| -30 | -20 | -10 | 20 | 25 | 30 | 35 | 45 |
| 8,374 | 8,700 | 9,026 | - | - | - | - | - |

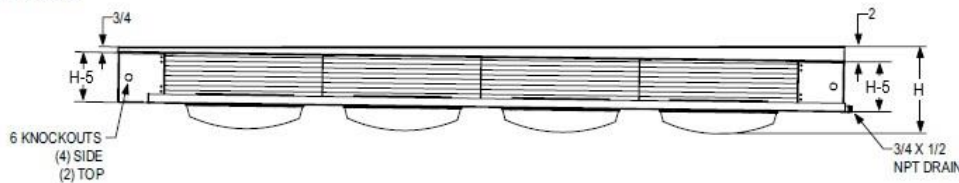
| DIMENSIONAL DATA | | | | INSTALLATION | | | |
|------------------|--------|-------|----------|--------------|---------|------------------|--|
| OVERALL (inches) | | | WT (lbs) | CONNECTIONS | | REFRIGERANT TYPE | |
| L | W | H | | LIQUID | SUCTION | | |
| 52 | 28.375 | 11.25 | 80 | 3/8 | 7/8 | R-448A/R-449A | |

| EVAPORATOR ELECTRICAL DATA | | | | EXPANSION VALVE | | DISTRIBUTOR NOZZLE/ORIFICE | |
|----------------------------|----------|--------------|---------|-----------------|--------------|----------------------------|-------|
| FAN QUANTITY | FAN AMPS | DEFROST AMPS | | TXV/EEV | | PART NUMBER | TYPE |
| | | 1 PHASE | 3 PHASE | PART NUMBER | MODEL NUMBER | | |
| 2 | 1.0 | 7.8 | N/A | 09-10578 | EBFDE-A-ZP | - | L, #1 |

Bottom View



Side View



End View

