

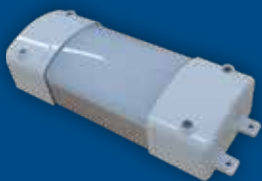


LED LIGHTING For Walk-In Coolers & Freezers

Standard LED lighting on all Norlake walk-ins minimizes energy expenses and maximizes profitability in walk-in operation. LED lighting is ideal for walk-in coolers and freezers because performance is maximized in cold environments. In addition, LED lighting provides substantial energy savings and maintains or increases light output.

Features

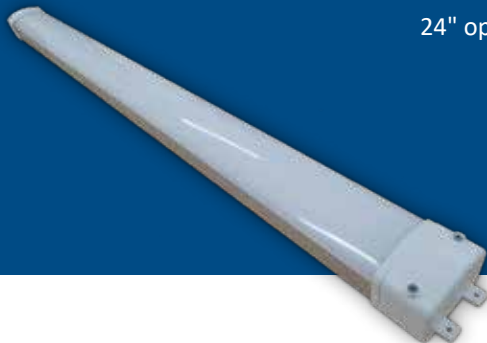
- Instant-on to full brightness with no waiting for lights to warm up
- LED light is centered above door so not to be obstructed by retarder or shelving
- Brighter white output at 5000°K at 15% the power usage
- Same lumen output as incandescent lighting but at much lower wattage: 15 watt LED = 1500 lumen (max output) vs. 100 watt incandescent = 1500 lumen
- Reduced heat output reduces cooling costs. LEDs emit 3 BTUs/hour while incandescent bulbs emit 85 BTUs/hour
- 90% of incandescent light bulb's energy is wasted heat
- Reduced maintenance cost: LEDs average 50,000 hours of life vs. 1,000 hours for incandescent
- Ideal for operating temperature of -40°F (-40°C) to +122°F (+50°C)
- Approvals: UL, NSF and C-UL
- 5 year replacement warranty



P/N 157750
9" standard over door -
optional for ceiling mount



P/N 157751
24" optional ceiling mount



P/N 157752
48" optional ceiling mount

Product Specifications

9" 1500 Unit Specifications

Input Voltage (nominal, AC, 50/60Hz)	volts 120 to 277
Input Power (typical)	watts 15
Input Current @ 120V AC	amps 0.125
Luminous Flux (typical)	lumens 1500

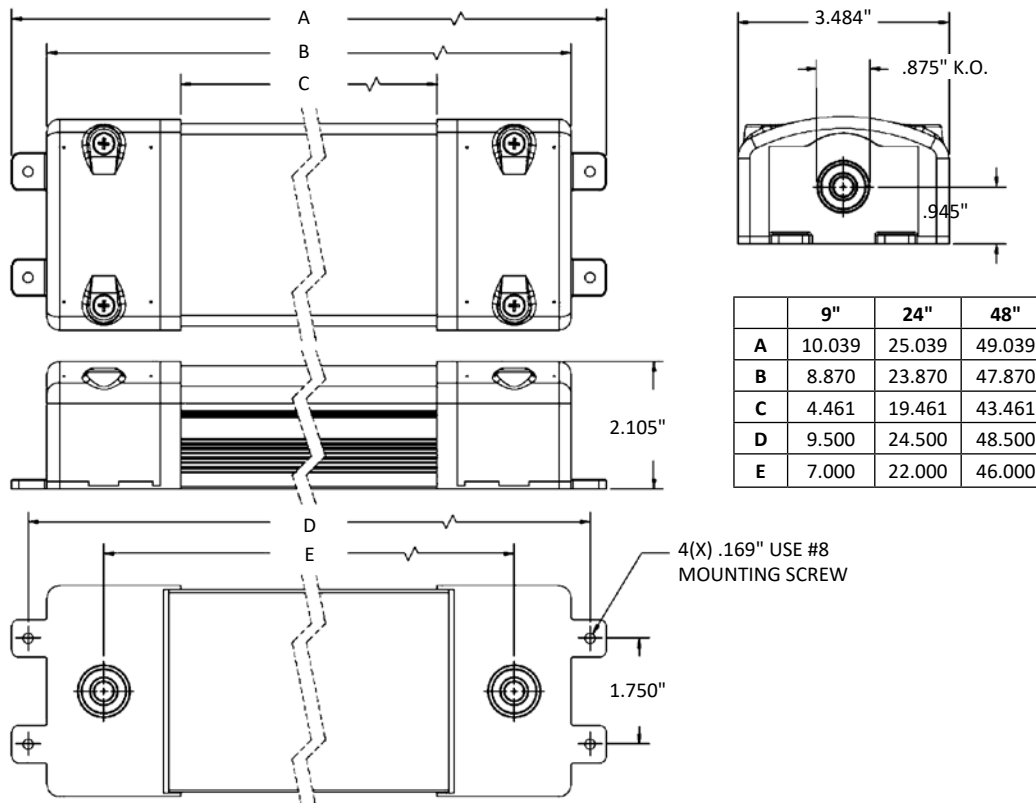
48" 4350 Unit Specifications

Input Voltage (nominal, AC, 50/60Hz)	volts 120 to 277
Input Power (typical)	watts 39
Input Current @ 120V AC	amps 0.325
Luminous Flux (typical)	lumens 4350

24" 2900 Unit Specifications

Input Voltage (nominal, AC, 50/60Hz)	volts 120 to 277
Input Power (typical)	watts 30
Input Current @ 120V AC	amps 0.242
Luminous Flux (typical)	lumens 2900

- Safety Testing: Complies to UL standards
- NSF International: NSF/ANSI 2 compliant
- Ingress Protection: IP65 compliant
- IESNA LM80-08: LEDs used comply with LM80-08 standards ensuring verifiable life-span.



891 County Road U Hudson, WI 54016
800-955-5253 norlake.com



All specifications within this publication subject to change without notice. ©2021 Norlake, Inc. All rights reserved.

Revision Date: 10/21
Part Number: 158416