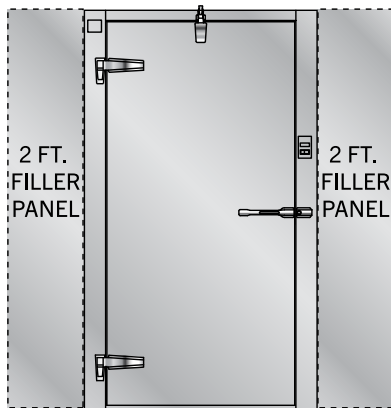
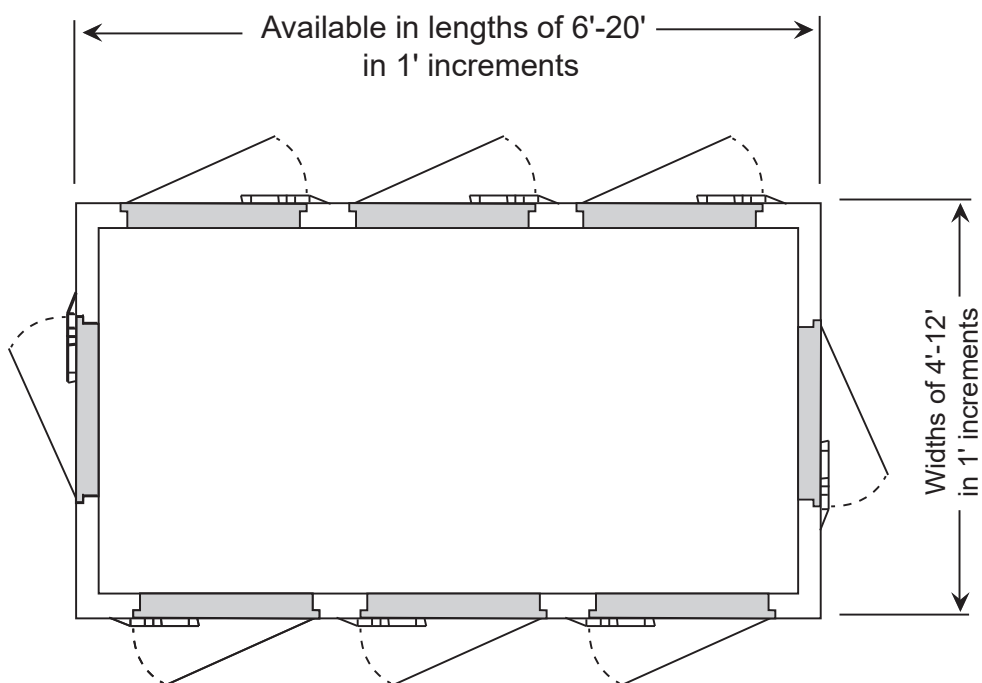


FAST-TRAK[®] WALK-IN DOOR LOCATION

Fast-Trak walk-ins feature field-configurable door placement so the door(s) can be located on any wall. Possible locations are shown below. The number of locations will increase with the size of the walk-in.

Walk-ins are shipped with (2) 2-foot panels per door for use on the door wall(s), allowing the installer to select the position on-site.



STANDARD FILLER PANELS

Two-foot wide filler panels shipped with each Fast-Trak provide flexibility for last-minute layout changes by allowing doors to be placed in any location along a wall. Use both or one panel as needed.